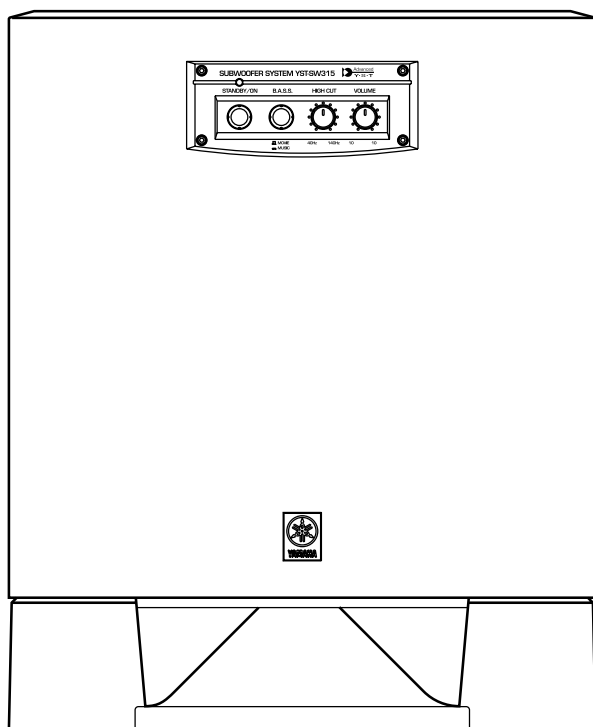


SUBWOOFER SYSTEM YST-SW315

SERVICE MANUAL



IMPORTANT NOTICE

This manual has been provided for the use of authorized YAMAHA Retailers and their service personnel.

It has been assumed that basic service procedures inherent to the industry, and more specifically YAMAHA Products, are already known and understood by the users, and have therefore not been restated.

WARNING: Failure to follow appropriate service and safety procedures when servicing this product may result in personal injury, destruction of expensive components, and failure of the product to perform as specified. For these reasons, we advise all YAMAHA product owners that any service required should be performed by an authorized YAMAHA Retailer or the appointed service representative.

IMPORTANT: The presentation or sale of this manual to any individual or firm does not constitute authorization, certification or recognition of any applicable technical capabilities, or establish a principle-agent relationship of any form.

The data provided is believed to be accurate and applicable to the unit(s) indicated on the cover. The research, engineering, and service departments of YAMAHA are continually striving to improve YAMAHA products. Modifications are, therefore, inevitable and specifications are subject to change without notice or obligation to retrofit. Should any discrepancy appear to exist, please contact the distributor's Service Division.

WARNING: Static discharges can destroy expensive components. Discharge any static electricity your body may have accumulated by grounding yourself to the ground buss in the unit (heavy gauge black wires connect to this buss).

IMPORTANT: Turn the unit OFF during disassembly and part replacement. Recheck all work before you apply power to the unit.

CONTENTS

TO SERVICE PERSONNEL	2
SPECIFICATIONS / 参考仕様	3
INTERNAL VIEW	3
BLOCK DIAGRAM	4
REAR PANELS	4~5
DISASSEMBLY PROCEDURES / 分解手順	6~7

ADJUSTMENTS / 調整	8~10
PRINTED CIRCUIT BOARD	11~12
SCHEMATIC DIAGRAM	13
PARTS LIST	15~23




このサービスマニュアルは、エコマーク認定の再生紙を使用しています。
This Service Manual uses recycled paper.

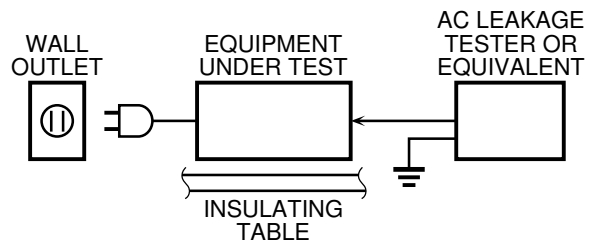
100855



YAMAHA
YAMAHA CORPORATION
P.O.Box 1, Hamamatsu, Japan

■ TO SERVICE PERSONNEL

1. Critical Components Information
Components having special characteristics are marked  and must be replaced with parts having specifications equal to those originally installed.
2. Leakage Current Measurement (For 120V Models Only)
When service has been completed, it is imperative to verify that all exposed conductive surfaces are properly insulated from supply circuits.
 - Meter impedance should be equivalent to 1500 ohm shunted by 0.15μF.



- Leakage current must not exceed 0.5mA.
- Be sure to test for leakage with the AC plug in both polarities.



“CAUTION”

“F1: FOR CONTINUED PROTECTION AGAINST RISK OF FIRE, REPLACE ONLY WITH SAME TYPE 6A, 125V FUSE.”

CAUTION

F1: REPLACE WITH SAME TYPE 6A, 125V FUSE.

ATTENTION

F1: UTILISER UN FUSIBLE DE RECHANGE DE MEME TYPE DE 6A, 125V.

WARNING: CHEMICAL CONTENT NOTICE!

The solder used in the manufacturing process except soldering of the P.C.B. ass'y contains LEAD. In addition, other electrical/electronic and /or plastic (where applicable) components may also contain traces of chemicals found by the California Health and Welfare Agency (and possibly other entities) to cause cancer and/or birth defects or other reproductive harm.

DO NOT PLACE SOLDER, ELECTRICAL/ELECTRONIC OR PLASTIC COMPONENTS IN YOUR MOUTH FOR ANY REASON WHATSOEVER!

Avoid prolonged, unprotected contact between solder and your skin! When soldering, do not inhale solder fumes or expose eyes to solder/flux vapor!

If you come in contact with solder or components located inside the enclosure of this product, wash your hands before handling food.

About lead-free solder / 無鉛ハンダについて

All P.C.B.s used for this product are soldered with lead-free soldering material which is an alloy of Sn+Ag+Cu (tin + silver + copper).

Among some types of lead-free solder currently available, it is recommended to use one of the following types for the repair work.

- Sn + Ag + Cu (tin + silver + copper)
- Sn + Cu (tin + copper)
- Sn + Zn + Bi (tin + zinc + bismuth)

Caution:

1. As the melting point temperature of the lead-free solder is about 30°C to 40°C (50°F to 70°F) higher than that of the lead solder, be sure to use a soldering iron suitable to each solder.
2. If lead solder must be used, be sure to remove lead-free solder from each terminal section of the parts to be replaced and from the area around it completely before soldering, or make sure that the lead-free solder and lead solder melt together fully.

この製品に使用されているすべての基板のハンダ付けには、Sn+Ag+Cu(錫+銀+銅)の合金である無鉛ハンダが使用されています。

無鉛ハンダにはいくつかの種類がありますが、修理時には下記のような無鉛ハンダの使用を推奨します。

- Sn+Ag+Cu(錫+銀+銅)
- Sn+Cu(錫+銅)
- Sn+Zn+Bi(錫+亜鉛+ビスマス)

注意：

- ① 無鉛ハンダの融点温度は通常の鉛入りハンダに比べ30～40°C程度高くなっていますので、それぞれのハンダに合ったハンダごてをご使用ください。
- ② 鉛入りハンダを使わざるを得ない場合は、あらかじめ交換する部品端子部やその周辺部の無鉛ハンダをすべて取り除くか、あるいは無鉛ハンダと鉛入りハンダが十分に溶けた状態となるようにハンダ付けしてください。

■ SPECIFICATIONS / 参考仕様

Type / 型式 Advanced Yamaha Active Servo Technology
Output Power / 出力 250 W (100 Hz, 5 Ω, 10% T.H.D.)
Input Sensitivity / 入力感度
 INPUT1 (SP) 1 V (50 Hz, 250 W / 5 Ω, L + R)
 INPUT2 (PJ) 50 mV (50 Hz, 250 W / 5 Ω, L + R)
Input Impedance / 入力インピーダンス
 INPUT1 (SP) 2.2 kΩ
 INPUT2 (PJ) 12 kΩ
Frequency Response / 再生周波数帯域 20 Hz to 160 Hz
Driver / スピーカーユニット 10" (25 cm) cone, Magnetic Shielding Type
Input Section / 入力部
 INPUT1 Speaker Terminal
 INPUT2 RCA Pin Jack
Operation Section / 操作部
 Front Panel STANDBY/ON Switch, B.A.S.S. Switch, Volume Control, High Cut Control, LED Indicator
 Rear Panel Power Switch, Auto Standby Switch (HIGH / LOW / OFF), Phase Switch (NORM / REV), Voltage Selector (R, T, K models only)
Power Supply / 電源
 U, C models AC 120 V, 60 Hz
 A model AC 240 V, 50 Hz
 B, G models AC 230 V, 50 Hz
 R, T, K models AC 240 / 220 / 120 / 110 V, 50/60 Hz
 J model AC 100 V, 50/60 Hz
Power Consumption / 消費電力
 U, C, A, B, G, R, T, K models 80 W
 J model 100 W
Standby Power Consumption / 待機時消費電力 0.5 W
Dimension / 外形寸法 (W x H x D) 350 x 430 x 382 mm
 (13-3/4" x 16-15/16" x 15-1/16")

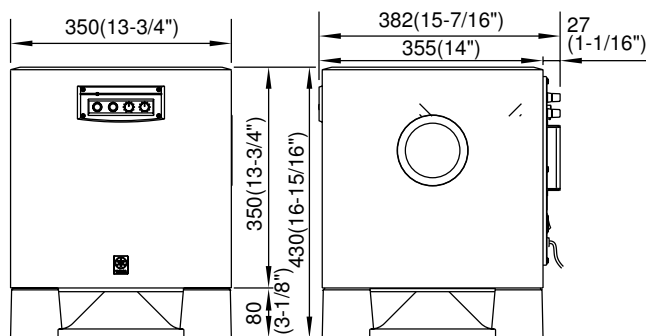
Weight / 質量 19 kg (41 lbs. 14 oz.)
Finish
 Cherry Color U, C, A, B, G, R, T, K, J models
 Black Color U, C, A, B, G, R, T, J models
Accessories / 付属品
 Subwoofer Cable (3 m) x 1 (J model), Speaker cable (4 m) x 2 (J model), Nonskid Pad x 4

* Specifications are subject to change without notice due to product improvements.

※ 参考仕様および外観は予告なく変更されることがあります。

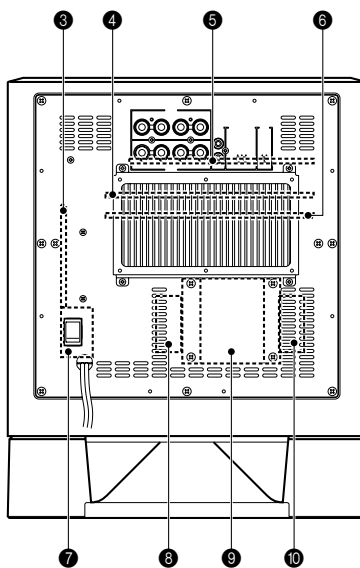
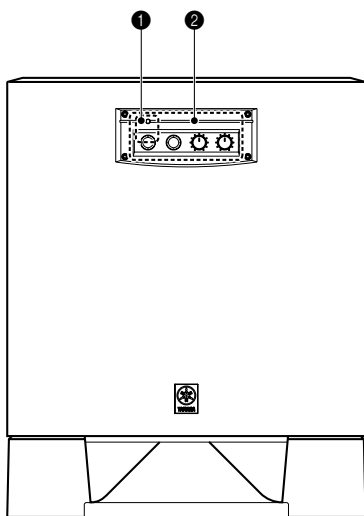
U U.S.A. model **C** Canadian model
A Australian model **B** British model
G European model **R** General model
T Chinese model **K** Korean model
J Japanese model

• DIMENSIONS / 寸法図



Unit: mm (inch)
 単位: mm (インチ)

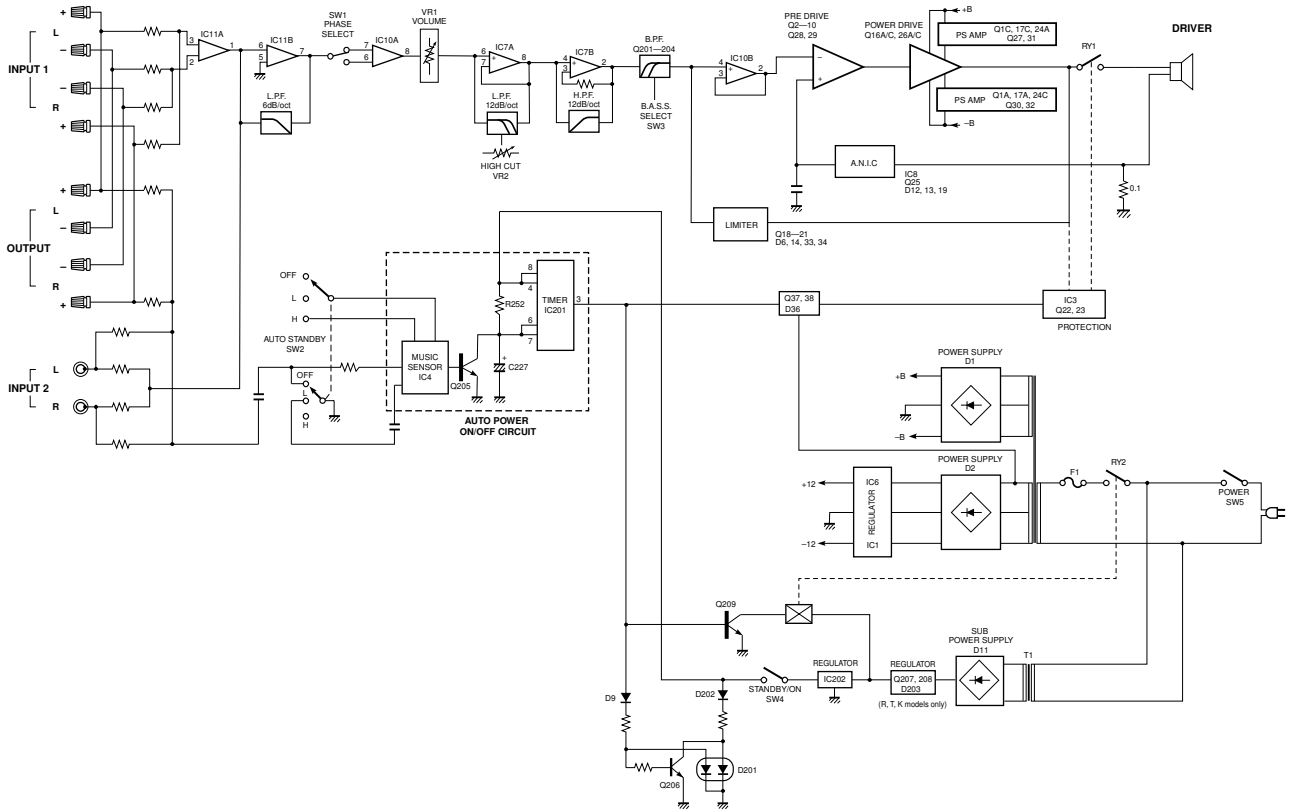
■ INTERNAL VIEW



- ① MAIN (8) P.C.B.
- ② MAIN (4) P.C.B.
- ③ MAIN (2) P.C.B.
- ④ MAIN (10) P.C.B.
- ⑤ MAIN (3) P.C.B.
- ⑥ MAIN (1) P.C.B.
- ⑦ MAIN (5) P.C.B.
- ⑧ MAIN (11) P.C.B.
- ⑨ POWER TRANSFORMER
- ⑩ MAIN (6) P.C.B.

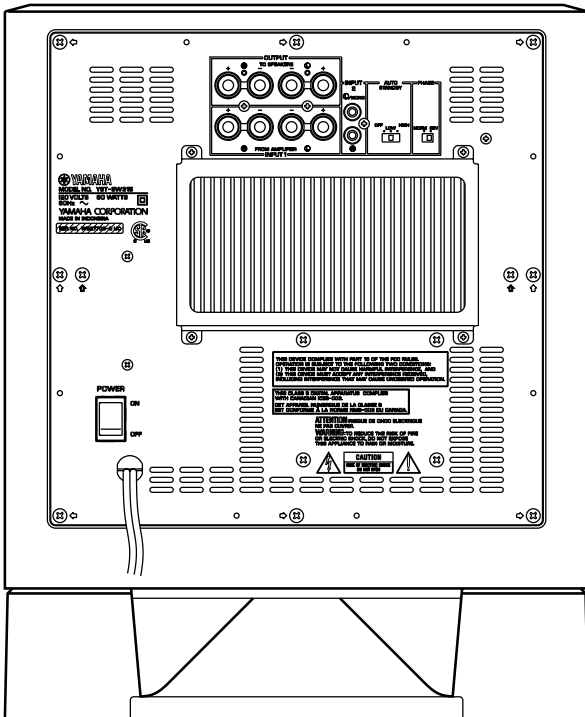
YST-SW315

■ BLOCK DIAGRAM

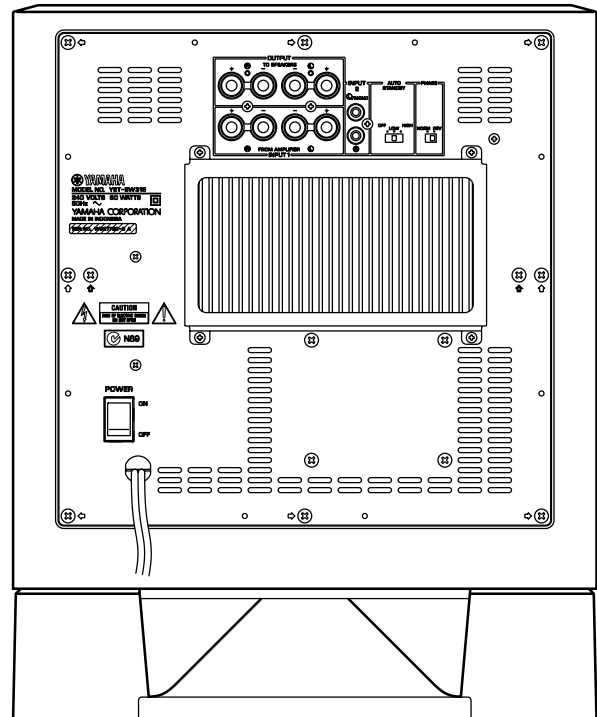


■ REAR PANELS

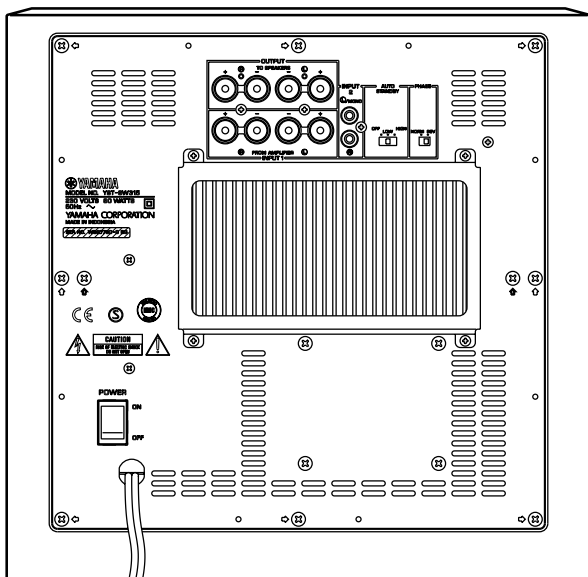
U, C models



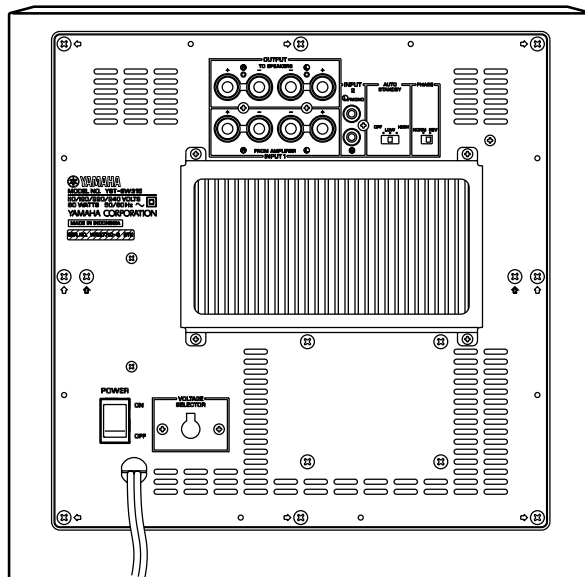
A model



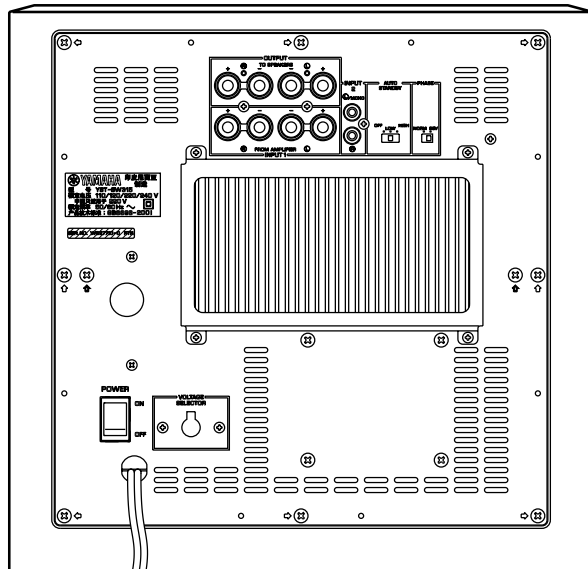
B, G models



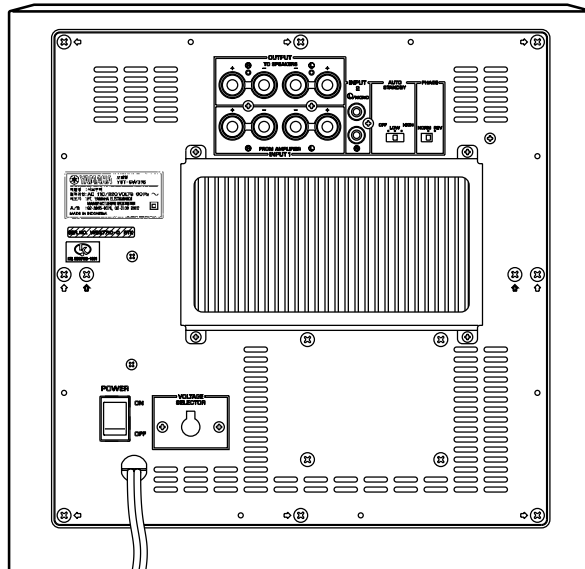
R model



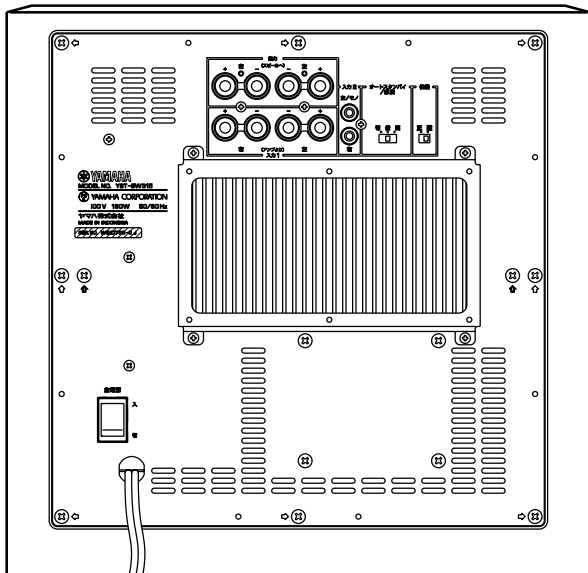
T model



K model



J model



YST-SW315

■ DISASSEMBLY PROCEDURE / 分解手順

(Remove parts in the order as numbered.)
Disconnect the power cable from the AC outlet.

(番号順に部品を取り外してください。)
AC電源コンセントから、電源コードを抜いてください。

1. Removal of Driver

- a. Remove 4 screws (①) and then remove the Base. (Fig. 1)
- b. Remove 4 screws (②) and then remove the Driver. (Fig. 1)
- c. Disconnect the connector connected to the terminal of the Driver. (Fig. 1)

1. スピーカーユニットの外し方

- a. ①のネジ4本を外し、ベースを取り外します。(Fig. 1)
- b. ②のネジ4本を外し、スピーカーユニットを取り外します。(Fig. 1)
- c. スピーカーユニットの端子に接続されているコネクタを外します。(Fig. 1)

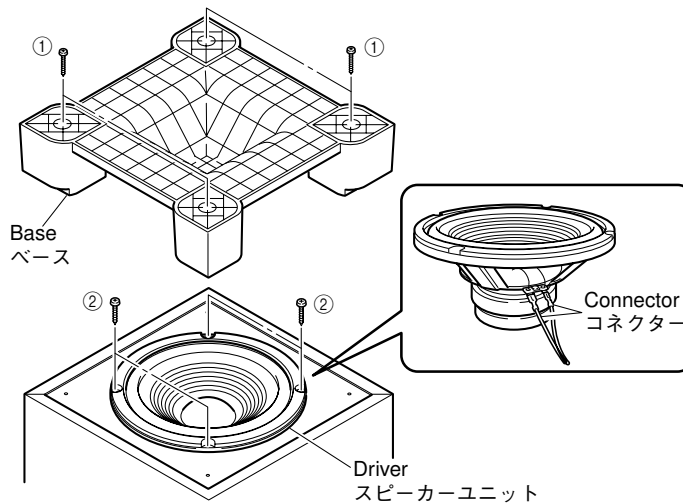


Fig. 1

2. Removal of Front Panel Ass'y

- a. Remove 4 screws (③). (Fig. 2)
* Use an Allen wrench (2.5mm) to unscrew the Front Panel Ass'y.
- b. Pull out the front panel ass'y and disconnect the connector (CB4). (Fig. 2)

2. フロントパネルAss'yの外し方

- a. ③のネジ4本を外します。(Fig. 2)
※ 取り外しには六角レンチ(2.5mm)を使用します。
- b. フロントパネルAss'yを引き出し、CB4を外します。(Fig. 2)

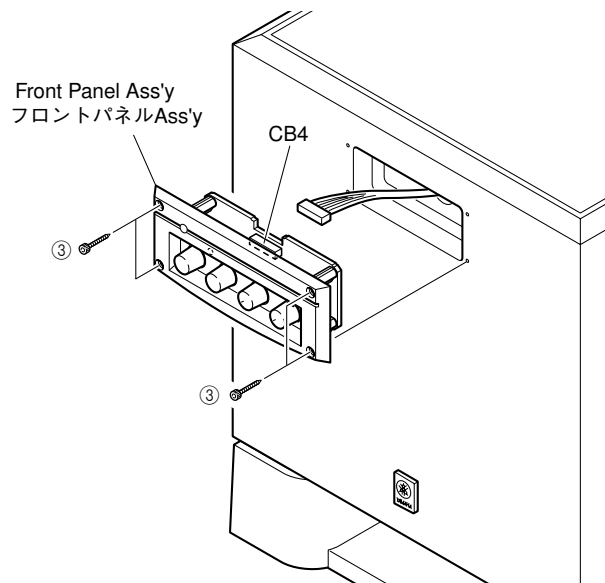


Fig. 2

3. Removal of Rear Panel Ass'y

- Remove 8 screws (④). (Fig. 3)
* Screws (④) are identified with arrow marks (◀).
- Pull out the rear panel ass'y. (Fig. 3)
- Remove 2 screws (⑤). (Fig. 3)
* Screws (⑤) are identified with arrow marks (◀).
- Remove the cover. (Fig. 3)
- Disconnect the connectors (CB9 and CB10). (Fig. 3)

3. リアパネルAss'yの外し方

- ④のネジ8本を外します。(Fig. 3)
※ 取り外す④のネジには矢印(◀)が印刷されています。
- リアパネルAss'yを引き出します。(Fig. 3)
- ⑤のネジ2本を外します。(Fig. 3)
※ 取り外す⑤のネジには矢印(◀)が印刷されています。
- カバーを外します。(Fig. 3)
- CB9、CB10を外します。(Fig. 3)

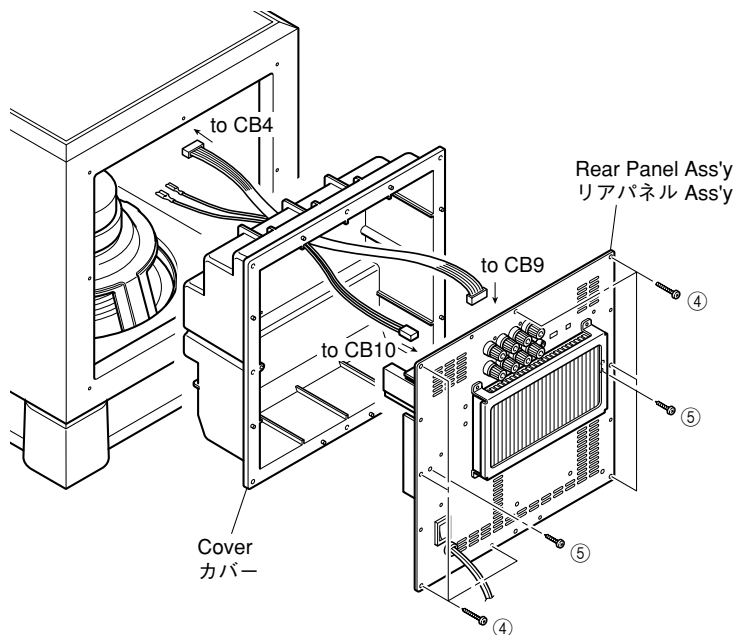


Fig. 3

When Checking the P.C.B.:

- Connect all the connectors removed during disassembly back to the original positions.
- Spread cloth first and place the rear panel ass'y on it. (Fig. 4)

P.C.B.チェックをする場合には

- 分解の際に外したコネクタをすべて元通りに接続します。
- ゴムシートと布を敷き、その上にリアパネルAss'yを置いてチェックします。(Fig. 4)

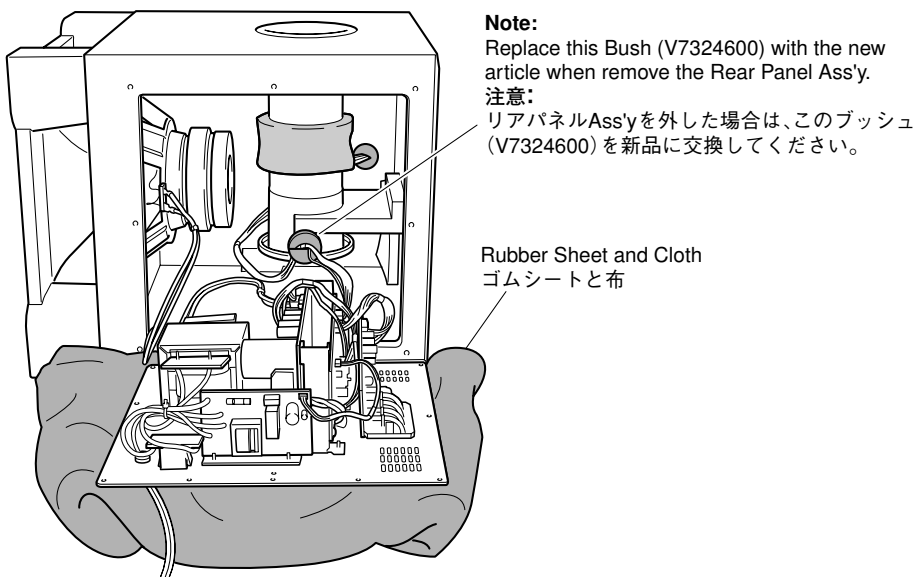


Fig. 4

■ ADJUSTMENTS / 調整

● Confirmation of Power Amp operation

For the power amplifier which has been repaired, it is absolutely necessary to confirm that a correct waveform is obtained at points indicated by ㉠ and ㉡ in the schematic diagram according to the following procedure.

Devices required

- Signal generator
- 8 Ω or 6 Ω load resistor
- Oscilloscope (dual trace type)

Connection

- 1) Connect the output signal from the signal generator to the input terminal of the unit.
- 2) Disconnect the connector terminal connected to the speaker unit and reconnect it to the load resistor.
- 3) Connect the HOT side of the oscilloscope CH1 probe to the point A or B indicated in the figure and the GND side to the GND of the main unit.
- 4) Connect the oscilloscope CH2 input to the red side of the connector cable, which is connected with the load resistor.

At this time, the GND terminal of CH2 must be left unconnected.

Setting

- 1) Set the signal generator to the sine wave, 100 Hz and minimum output level settings.
- 2) Set the volume of the unit to the minimum position.
- 3) Turn on the power to the unit.
- 4) Adjust the output level of the signal generator and the volume of the unit so that the output level observed at oscilloscope CH2 is 28 Vp-p.

Waveform observation

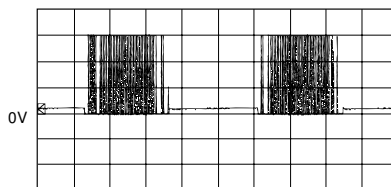
With the settings made as described above, observe the waveform obtained at CH1 for judgment.

Normal

Point A (Cathode of D29)
 V : 20V/div H : 2 msec/div
 DC range 1 : 1 probe

Abnormal

+B or GND level
 Becomes constant

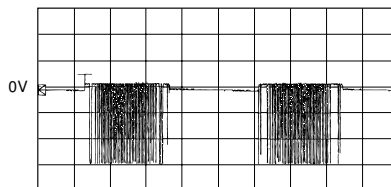


Normal

Point B (Anode of D31)
 V : 20 V/div H : 2 msec/div
 DC range 1 : 1 probe

Abnormal

-B or GND level
 Becomes constant



● パワーアンプの動作の確認

パワーアンプを修理した場合、下記の手順に従って、回路図に示してある㉠点と㉡点で正しい波形が得られることを必ず確認してください。

必要な機器

- 信号発生器
- 8オームまたは6オームの負荷抵抗
- オシロスコープ(2現象タイプのこと)

接続

- 1) 信号発生器の出力信号を本機の入力端子に接続します。
- 2) スピーカーに接続されているコネクタ端子を外して、負荷抵抗に接続します。
- 3) オシロスコープCH1のプロブ端子のHOT側を図に示してあるA点またはB点に接続し、GND側を本機のGNDに接続します。
- 4) オシロスコープCH2のHOT端子を、負荷抵抗に接続したコネクタ・ケーブルの赤側に接続します。
 注意：この時、CH2のGND端子はどこにも接続しないでください。

設定

- 1) 信号発生器を正弦波、100 Hz、最低出力レベルに設定します。
- 2) 本機のボリュームを最小に設定します。
- 3) 本機の電源を入れます。
- 4) 信号発生器の出力レベルと本機のボリュームを調整して、オシロスコープのCH2で観測される出力レベルが28 Vp-pになるようにします。

波形観測

上記の設定において、CH1で得られる波形を観測して判断します。

正常

A点 (D29のカソード)
 V : 20 V/div H : 2 msec/div
 DCレンジ 1 : 1プローブ

異常

+BまたはGNDレベル一定になる。

正常

B点 (D31のアノード)
 V : 20 V/div H : 2 msec/div
 DCレンジ 1 : 1プローブ

異常

-BまたはGNDレベル一定になる。

● Idling Adjustment

To stabilize operation of the amplifier, turn ON the power with no input signal and wait for 2 to 3 minutes in non loaded condition before the adjustment.

Confirm that the voltage across the terminals TP11 and TP12 is 10 mV to 200 mV.

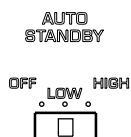
If it exceeds 200 mV, open (cut off) R172.

● Confirmation of AUTO STANDBY operation Setting

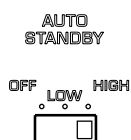
- 1) Turn off the power switch located on the rear panel.
- 2) In order to shorten the time required for operation check; connect a 10k Ω resistor at both ends of R252 on the MAIN (3) P.C.B. (Refer to page 11)
- 3) Connect the output signal from the signal generator to the INPUT 2 / L/MONO terminal of the unit.
- 4) Set the signal generator for the sine wave of 100Hz, 8mV.
- 5) Turn on the power switch located on the rear panel.

Confirmation

- 1) Set the AUTO STANDBY switch to the LOW position.



- 2) Turn on the STANDBY/ON switch.
The display LED lights up (green) and its color changes to red after 5 to 10 seconds.
- 3) Turn off the STANDBY/ON switch.
The display LED goes off.
- 4) Set the AUTO STANDBY switch to the HIGH position.



- 5) Turn on the STANDBY/ON switch.
The display LED lights up (green) and its color remains unchanged even after time have elapsed.
- 6) Turn off the STANDBY/ON switch.
The display LED goes off.

After confirmation

- 1) Turn off the power switch.
- 2) Disconnect the 10k Ω resistor connected to both ends of R252.

● アイドリングの調整

アンプの動作を安定させるためには、信号を入力しないで電源を入れ、無負荷の状態で2、3分待ってから調整を行ってください。

TP11とTP12の端子間の電圧が10 mV ~ 200 mVであることを確認してください。

電圧が200 mVを越えている場合は、R172をカットしてください。

● オートスタンバイ動作確認設定

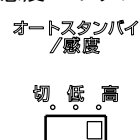
- 1) リアパネルにある主電源スイッチをOFFにします。
- 2) 動作確認時間を短縮するため、MAIN (3) P.C.B.にあるR252の両端に10 k Ω の抵抗を取り付けます。(11ページ参照)
- 3) 信号発生器の出力信号を本機の入力2/L/MONO端子に接続します。
- 4) 信号発生器を正弦波、100 Hz、8 mVに設定します。
- 5) リアパネルにある主電源スイッチをONにします。

確認

- 1) オートスタンバイ/感度スイッチを「低」に合わせます。



- 2) STANDBY/ONスイッチをONにします。
表示LEDが点灯(緑色)します。5~10秒後、表示LEDが赤色に変わります。
- 3) STANDBY/ONスイッチをOFFにします。
表示LEDが消灯します。
- 4) オートスタンバイ/感度スイッチを「高」に合わせます。

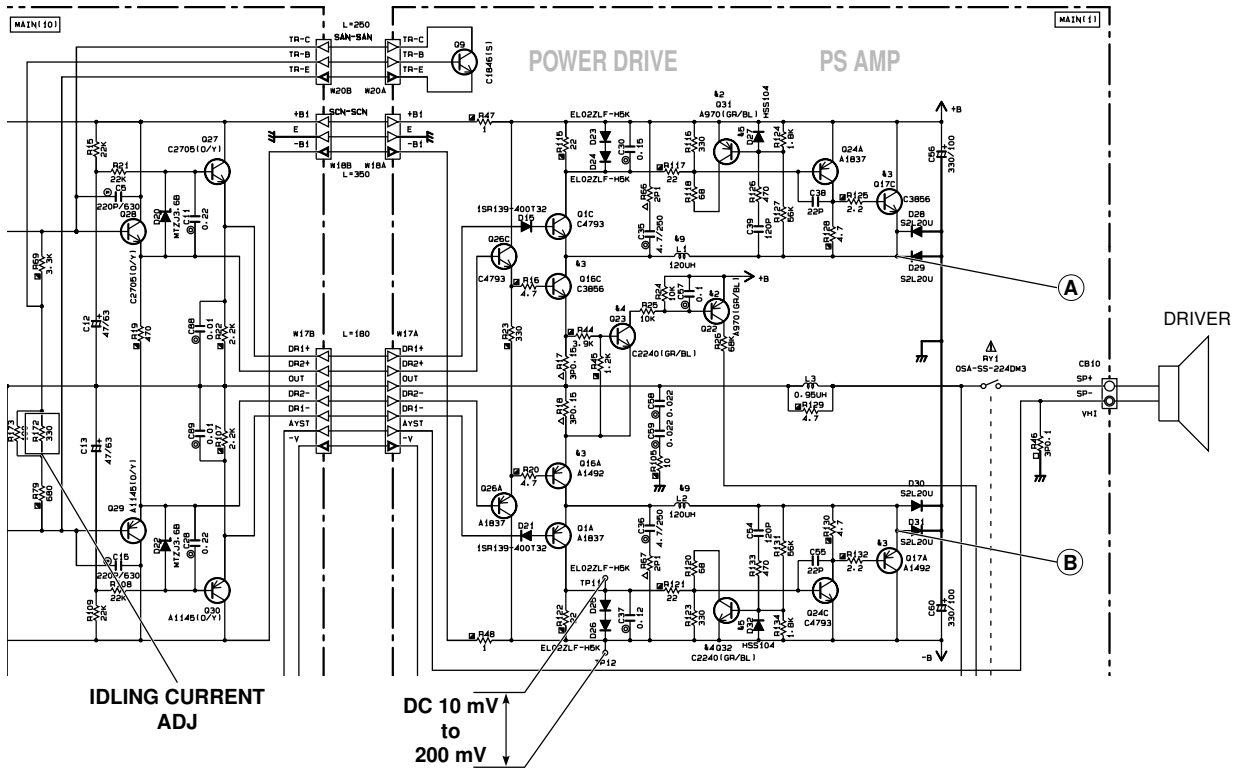


- 5) STANDBY/ONスイッチをONにします。
表示LEDが点灯(緑色)します。時間が経過しても表示LEDの色は変化しません。
- 6) STANDBY/ONスイッチをOFFにします。
表示LEDが消灯します。

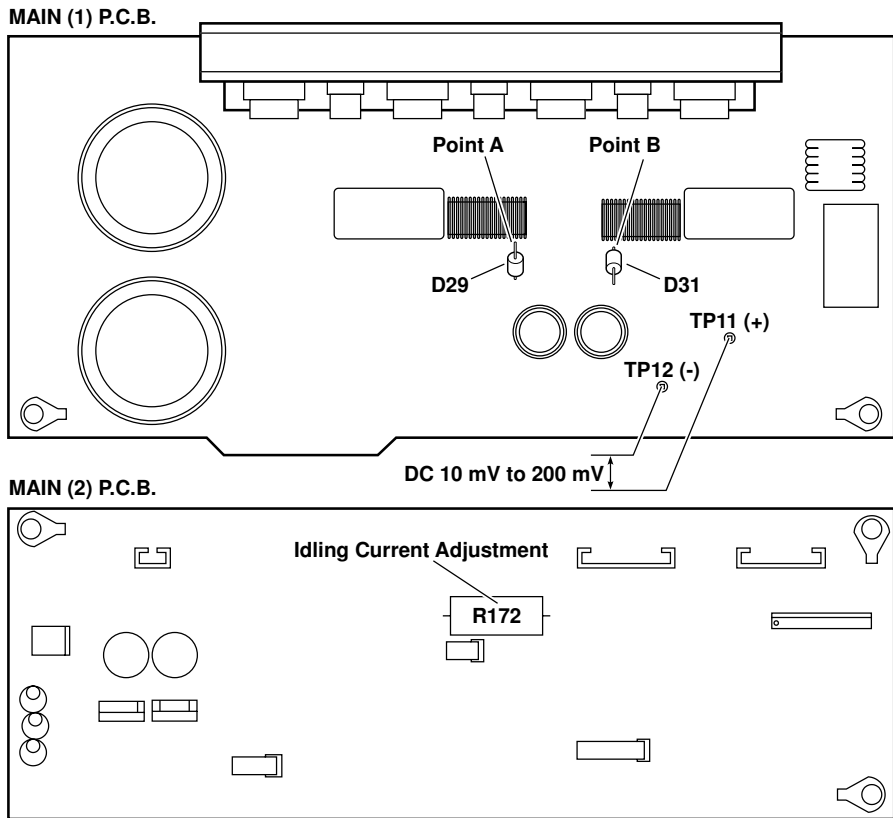
確認終了後

- 1) 主電源を切ります。
- 2) R252両端に取り付けた抵抗を外します。

Schematic Diagram / 回路図



Test Points / テストポイント

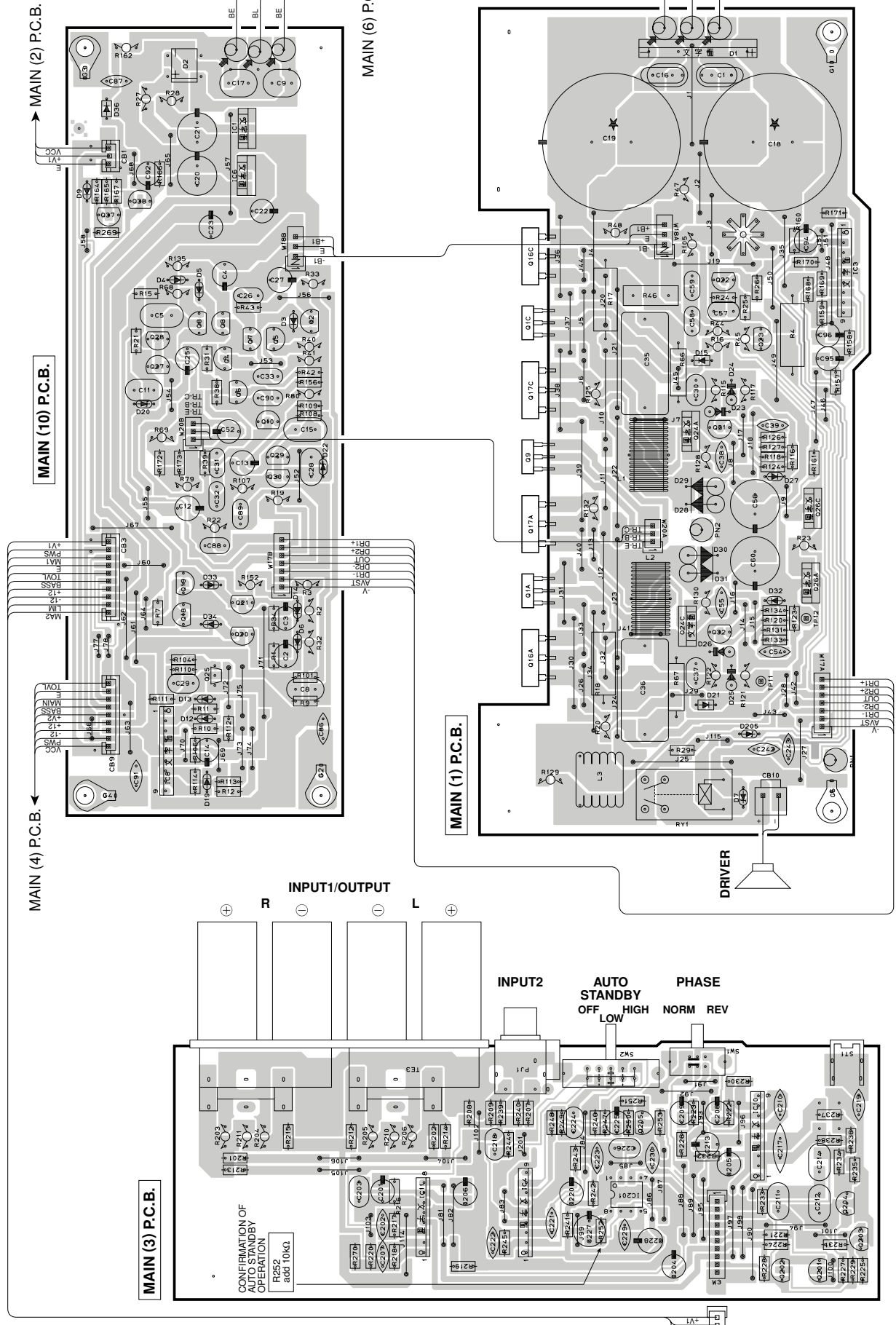


A B C D E F G H I J

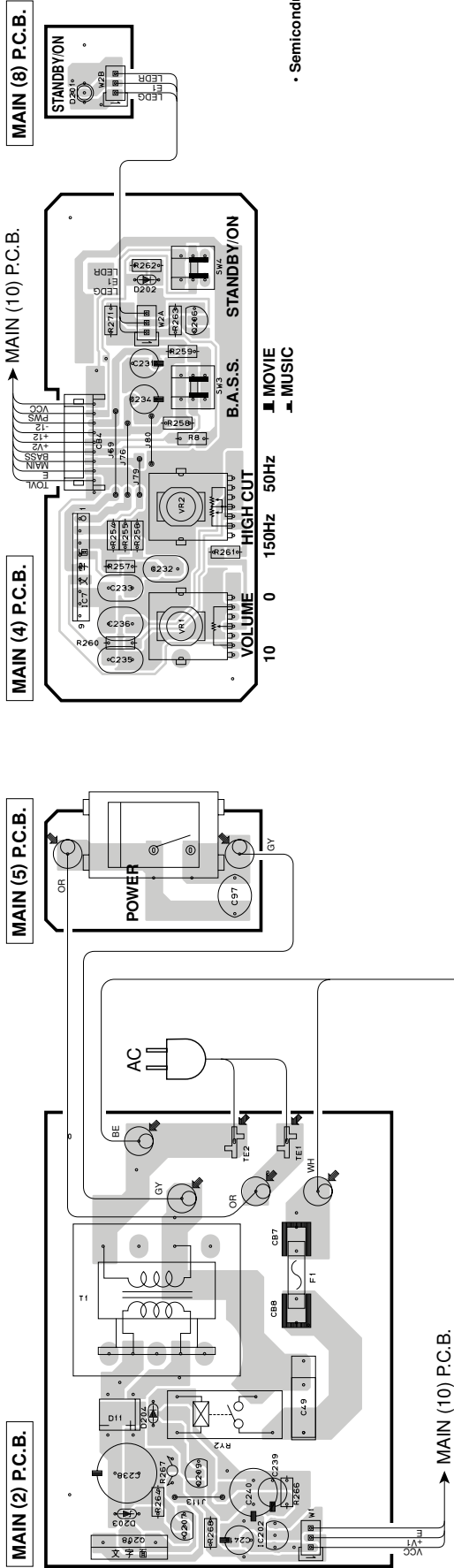
1 ■ PRINTED CIRCUIT BOARD (Foil side)

• Semiconductor Location

Ref. No.	Location	Ref. No.	Location
D1	J6	Q1C	H5
D2	J3	Q2	H3
D3	H3	Q3	H3
D4	H2	Q4	H3
D5	H5	Q5	H3
D6	F3	Q6	H3
D7	E6	Q7	H3
D8	I2	Q8	H3
D12	E3	Q9	G5
D13	F3	Q10	G5
D14	F4	Q16A	F5
D15	H6	Q16C	H5
D19	E3	Q17A	G5
D20	G2	Q17C	H5
D22	G3	Q19	F2
D23	G6	Q20	F3
D24	H6	Q21	F3
D25	G3	Q22	H6
D26	G3	Q23	H6
D27	G7	Q24A	G6
D28	G6	Q24C	F6
D29	G6	Q25	F5
D30	F6	Q26A	F7
D31	F6	Q26C	G7
D32	F6	Q27	H2
D33	F6	Q28	H2
D34	F3	Q29	G3
IC1	I3	Q31	G6
IC4	B5	Q37	F6
IC6	I3	Q38	I2
IC8	E2	Q201	B7
IC10	C6	Q202	B6
IC11	B4	Q203	B7
IC201	B5	Q204	B7
Q1A	F5	Q205	C6



1 ■ PRINTED CIRCUIT BOARD (Foil side)



MAIN (10) P.C.B.

J, U, C, A, B, G models

MAIN (11) P.C.B.

R, T, K models

MAIN (7) P.C.B.

MAIN (1) P.C.B.

MAIN (10) P.C.B.

MAIN (1) P.C.B.

MAIN (6) P.C.B.

MAIN (6) P.C.B.

MAIN (10) P.C.B.

MAIN (9) P.C.B.

MAIN (6) P.C.B.

MAIN (10) P.C.B.

MAIN (1) P.C.B.

MAIN (6) P.C.B.

MAIN (6) P.C.B.

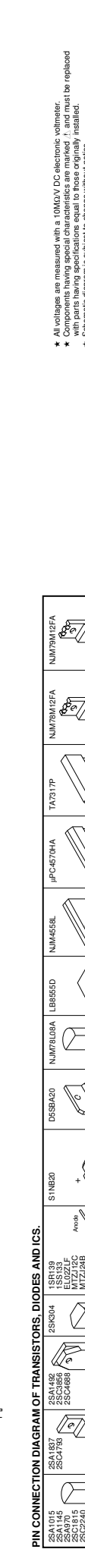
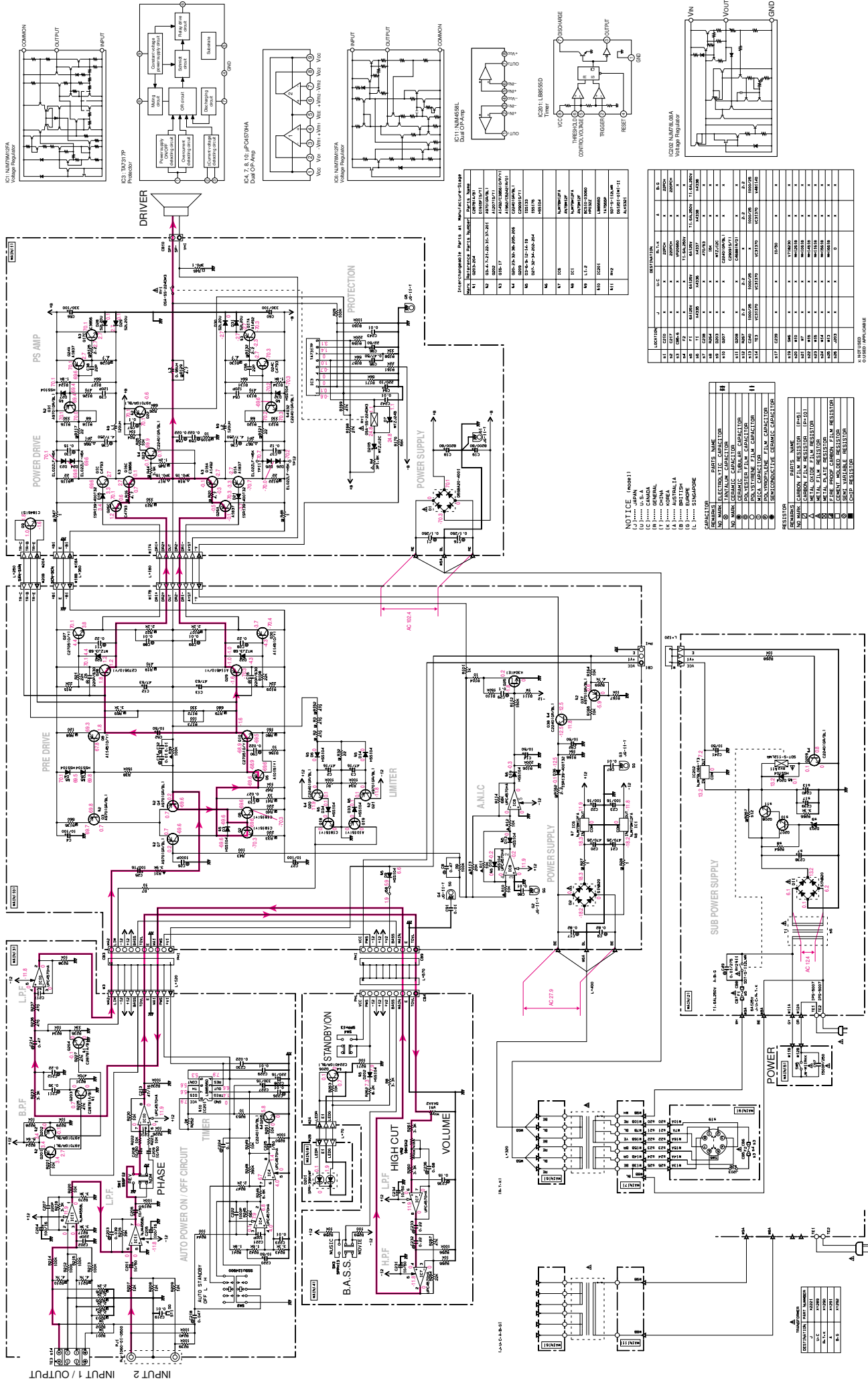
MAIN (10) P.C.B.

MAIN (9) P.C.B.

• Semiconductor Location

Ref. No.	Location
D11	B2
D201	I2
D202	H2
D203	B2
D204	B2
IC7	G2
IC202	B3
Q206	H2
Q207	B2
Q208	A2
Q209	B2

■ SCHEMATIC DIAGRAM



PIN CONNECTION DIAGRAM OF TRANSISTORS, DIODES AND ICs.

1 INPUT 1 / OUTPUT
2 INPUT 2
3
4
5
6
7
8
9

10
11
12
13
14
15
16
17
18
19
20
21
22
23
24
25
26
27
28
29
30
31
32
33
34
35
36
37
38
39
40
41
42
43
44
45
46
47
48
49
50
51
52
53
54
55
56
57
58
59
60
61
62
63
64
65
66
67
68
69
70
71
72
73
74
75
76
77
78
79
80
81
82
83
84
85
86
87
88
89
90
91
92
93
94
95
96
97
98
99
100

PARTS LIST

■ ELECTRICAL PARTS

■ WARNING

● Components having special characteristics are marked \triangle and must be replaced with parts having specifications equal to those originally installed.

● \triangle 印のある部分は、安全確保部品を示しています。部品の交換が必要な場合、パーツリストに記載されている部品を使用してください。
● 部品価格ランクは、予告なく変更することがあります。

ABBREVIATIONS IN THIS LIST ARE AS FOLLOWS:

C.A.EL.CHP	: CHIP ALUMI.ELECTROLYTIC CAP	L.EMIT	: LIGHT EMITTING MODULE
C.CE	: CERAMIC CAP	LED.DSPLY	: LED DISPLAY
C.CE.ARRAY	: CERAMIC CAP ARRAY	LED.INFRD	: LED,INFRARED
C.CE.CHP	: CHIP CERAMIC CAP	MODUL.RF	: MODULATOR,RF
C.CE.ML	: MULTILAYER CERAMIC CAP	PHOT.CPL	: PHOTO COUPLER
C.CE.M.CHP	: CHIP MULTILAYER CERAMIC CAP	PHOT.INTR	: PHOTO INTERRUPTER
C.CE.SAFTY	: RECOGNIZED CERAMIC CAP	PHOT.RFLCT	: PHOTO REFLECTOR
C.CE.TUBLR	: CERAMIC TUBULAR CAP	PIN.TEST	: PIN,TEST POINT
C.CE.SMI	: SEMI CONDUCTIVE CERAMIC CAP	PLST.RIVET	: PLASTIC RIVET
C.EL	: ELECTROLYTIC CAP	R.ARRAY	: RESISTOR ARRAY
C.MICA	: MICA CAP	R.CAR.	: CARBON RESISTOR
C.ML.FLM	: MULTILAYER FILM CAP	R.CAR.CHP	: CHIP RESISTOR
C.MP	: METALLIZED PAPER CAP	R.CAR.FP	: FLAME PROOF CARBON RESISTOR
C.MYLAR	: MYLAR FILM CAP	R.FUS	: FUSABLE RESISTOR
C.MYLAR.ML	: MULTILAYER MYLAR FILM CAP	R.MTL.CHP	: CHIP METAL FILM RESISTOR
C.PAPER	: PAPER CAPACITOR	R.MTL.FLM	: METAL FILM RESISTOR
C.PLS	: POLYSTYRENE FILM CAP	R.MTL.OXD	: METAL OXIDE FILM RESISTOR
C.POL	: POLYESTER FILM CAP	R.MTL.PLAT	: METAL PLATE RESISTOR
C.POLY	: POLYETHYLENE FILM CAP	RSNR.CE	: CERAMIC RESONATOR
C.PP	: POLYPROPYLENE FILM CAP	RSNR.CRYS	: CRYSTAL RESONATOR
C.TNTL	: TANTALUM CAP	R.TW.CEM	: TWIN CEMENT FIXED RESISTOR
C.TNTL.CHP	: CHIP TANTALUM CAP	R.WW	: WIRE WOUND RESISTOR
C.TRIM	: TRIMMER CAP	SCR.BND.HD	: BIND HEAD B-TITE SCREW
CN	: CONNECTOR	SCR.BW.HD	: BW HEAD TAPPING SCREW
CN.BS.PIN	: CONNECTOR,BASE PIN	SCR.CUP	: CUP TITE SCREW
CN.CANNON	: CONNECTOR,CANNON	SCR.TERM	: SCREW TERMINAL
CN.DIN	: CONNECTOR,DIN	SCR.TR	: SCREW,TRANSISTOR
CN.FLAT	: CONNECTOR,FLAT CABLE	SUPRT.PCB	: SUPPORT,P.C.B.
CN.POST	: CONNECTOR,BASE POST	SURG.PRTCT	: SURGE PROTECTOR
COIL.MX.AM	: COIL,AM MIX	SW.TACT	: TACT SWITCH
COIL.AT.FM	: COIL,FM ANTENNA	SW.LEAF	: LEAF SWITCH
COIL.DT.FM	: COIL,FM DETECT	SW.LEVER	: LEVER SWITCH
COIL.MX.FM	: COIL,FM MIX	SW.MICRO	: MICRO SWITCH
COIL.OUTPT	: OUTPUT COIL	SW.PUSH	: PUSH SWITCH
DIOD.ARRAY	: DIODE ARRAY	SW.RT.ENC	: ROTARY ENCODER
DIODE.BRG	: DIODE BRIDGE	SW.RT.MTR	: ROTARY SWITCH WITH MOTOR
DIODE.CHP	: CHIP DIODE	SW.RT	: ROTARY SWITCH
DIODE.VAR	: VARACTOR DIODE	SW.SLIDE	: SLIDE SWITCH
DIOD.Z.CHP	: CHIP ZENER DIODE	TERM.SP	: SPEAKER TERMINAL
DIODE.ZENR	: ZENER DIODE	TERM.WRAP	: WRAPPING TERMINAL
DSCR.CE	: CERAMIC DISCRIMINATOR	THRMST.CHP	: CHIP THERMISTOR
FER.BEAD	: FERRITE BEADS	TR.CHP	: CHIP TRANSISTOR
FER.CORE	: FERRITE CORE	TR.DGT	: DIGITAL TRANSISTOR
FET.CHP	: CHIP FET	TR.DGT.CHP	: CHIP DIGITAL TRANSISTOR
FL.DSPLY	: FLUORESCENT DISPLAY	TRANS	: TRANSFORMER
FLTR.CE	: CERAMIC FILTER	TRANS.PULS	: PULSE TRANSFORMER
FLTR.COMB	: COMB FILTER MODULE	TRANS.PWR	: POWER TRANSFORMER ASS'Y
FLTR.LC.RF	: LC FILTER,EMI	TUNER.AM	: TUNER PACK,AM
GND.MTL	: GROUND PLATE	TUNER.FM	: TUNER PACK,FM
GND.TERM	: GROUND TERMINAL	TUNER.PK	: FRONT-ENDTUNER PACK
HOLDER.FUS	: FUSE HOLDER	VR	: ROTARY POTENTIOMETER
IC.PRTCT	: IC PROTECTOR	VR.MTR	: POTENTIOMETER WITH MOTOR
JUMPER.CN	: JUMPER CONNECTOR	VR.SW	: POTENTIOMETER WITH ROTARY SW
JUMPER.TST	: JUMPER,TEST POINT	VR.SLIDE	: SLIDE POTENTIOMETER
L.DTCT	: LIGHT DETECTING MODULE	VR.TRIM	: TRIMMER POTENTIOMETER

Note) Those parts marked with “#” are not included in the P.C.B. ass'y.

P.C.B. MAIN

Schm Ref.	PART NO.	Description	Remarks	Markets	部 品 名	Rank	
*	WB373300	P. C. B.	MAIN		J	P C B M A I N	
*	WB373400	P. C. B.	MAIN		UC	P C B M A I N	
*	WB373500	P. C. B.	MAIN		RTK	P C B M A I N	
*	WB373600	P. C. B.	MAIN		A	P C B M A I N	
*	WB373700	P. C. B.	MAIN		BG	P C B M A I N	
	CB1	VB389900	CN. BS. PIN	3P		ベースピン	01
	CB3	VB390600	CN. BS. PIN	10P		コネクタベースポスト	01
	CB4	VB858800	CN. BS. PIN	9P		ベースピン	01
	CB5	VP206500	HOLDER. FUS	EYF-52BCT	RTK	ヒューズホルダー	01
	CB6	VP206500	HOLDER. FUS	EYF-52BCT	RTK	ヒューズホルダー	01
	CB7	VP206500	HOLDER. FUS	EYF-52BCT		ヒューズホルダー	01
	CB8	VP206500	HOLDER. FUS	EYF-52BCT		ヒューズホルダー	01
	CB9	VB390500	CN. BS. PIN	9P		コネクタベースポスト	03
	CB10	LB932020	CN. BS. PIN	2P		ベースポスト	01
*	C1	WB540200	C. POL. MTL	0.1uF ECQE2104KF3		メタライズドポリコン	
	C2	UR837470	C. EL	47uF 16V		ケミコン	01
	C3	UR837470	C. EL	47uF 16V		ケミコン	01
	C4	UR897100	C. EL	10uF 100V		ケミコン	01
	C5	V8584600	C. PP	220pF 630V		PPコン	
	C8	UA655470	C. MYLAR	0.47uF 50V		マイラーコン	01
	C9	UA655820	C. MYLAR	0.82uF 50V		マイラーコン	01
	C11	VE326400	C. MYLAR. ML	0.22uF 50V		積層マイラーコン	01
	C12	UR877470	C. EL	47uF 63V		ケミコン	01
	C13	UR877470	C. EL	47uF 63V		ケミコン	01
	C14	UR867100	C. EL	10uF 50V		ケミコン	01
	C15	V8584600	C. PP	220pF 630V		PPコン	
*	C16	WB540200	C. POL. MTL	0.1uF ECQE2104KF3		メタライズドポリコン	
	C17	UA655820	C. MYLAR	0.82uF 50V		マイラーコン	01
	C18	V6092500	C. EL	8200uF 80V		電解コンデンサ	09
	C19	V6092500	C. EL	8200uF 80V		電解コンデンサ	09
	C20	UR848470	C. EL	470uF 25V		ケミコン	01
	C21	UR848470	C. EL	470uF 25V		ケミコン	01
	C22	UR838100	C. EL	100uF 16V		ケミコン	01
	C23	UR838100	C. EL	100uF 16V		ケミコン	01
	C25	UR838100	C. EL	100uF 16V		ケミコン	01
	C26	UA653100	C. MYLAR	1000pF 50V		マイラーコン	03
	C27	UR897100	C. EL	10uF 100V		ケミコン	01
	C28	VE326400	C. MYLAR. ML	0.22uF 50V		積層マイラーコン	01
	C29	UA655100	C. MYLAR	0.1uF 50V		マイラーコン	01
	C30	UA655150	C. MYLAR	0.15uF 50V		マイラーコン	01
	C31	UA654100	C. MYLAR	0.01uF 50V		マイラーコン	01
	C32	UA654100	C. MYLAR	0.01uF 50V		マイラーコン	01
	C33	UA654270	C. MYLAR	0.027uF 50V		マイラーコン	01
	C35	V5058000	C. MYLAR	4.7uF 250V		マイラーコン	05
	C36	V5058000	C. MYLAR	4.7uF 250V		マイラーコン	05
	C37	UA655120	C. MYLAR	0.12uF 50V		マイラーコン	01
	C38	FG651220	C. CE	22pF 50V		セラコン	01
	C39	FG652120	C. CE	120pF 50V		セラコン	01
	C49	V6185300	C. CE. SAFTY	0.01uF 275V		規格認定コン	
	C52	UR867100	C. EL	10uF 50V		ケミコン	01
	C54	FG652120	C. CE	120pF 50V		セラコン	01
	C55	FG651220	C. CE	22pF 50V		セラコン	01
	C56	UR798330	C. EL	330uF 100V		ケミコン	02

* New Parts * 新規部品(マーク#の部品は、基板に含まれません)

P.C.B. MAIN

Schm Ref.	PART NO.	Description	Remarks	Markets	部 品 名	Rank
C57	UA655100	C. MYLAR	0.1uF 50V		マイラーコン	01
C58	UA654220	C. MYLAR	0.022uF 50V		マイラーコン	01
C59	UA654220	C. MYLAR	0.022uF 50V		マイラーコン	01
C60	UR798330	C. EL	330uF 100V		ケミコン	02
C86	FG644100	C. CE	0.01uF 50V		セラコン	01
C87	FG644100	C. CE	0.01uF 50V		セラコン	01
C88	UA654100	C. MYLAR	0.01uF 50V		マイラーコン	01
C89	UA654100	C. MYLAR	0.01uF 50V		マイラーコン	01
C90	UA654220	C. MYLAR	0.022uF 50V		マイラーコン	01
C91	FG644100	C. CE	0.01uF 50V		セラコン	01
C92	UR867100	C. EL	10uF 50V		ケミコン	01
C94	UR828220	C. EL	220uF 10V		ケミコン	01
C95	UR865470	C. EL	0.47uF 50V		ケミコン	01
C96	UR867220	C. EL	22uF 50V		ケミコン	01
C97	V7682500	C. CE. SAFTY	1500pF 250V		規格認定コン K H	01
C201	UR867100	C. EL	10uF 50V		ケミコン	01
C202	FG612220	C. CE	220pF 50V		セラコン	01
C203	UA654390	C. MYLAR	0.039uF 50V		マイラーコン	01
C204	UR838100	C. EL	100uF 16V		ケミコン	01
C205	UR838100	C. EL	100uF 16V		ケミコン	01
C206	UR867100	C. EL	10uF 50V		ケミコン	01
C207	FG612220	C. CE	220pF 50V		セラコン	01
C208	UR867100	C. EL	10uF 50V		ケミコン	01
C209	UR867100	C. EL	10uF 50V		ケミコン	01
C210	VA761000	C. CE	22pF 50V	RTKBG	セラコン	01
C211	UA655390	C. MYLAR	0.39uF 50V		マイラーコン	01
C212	VE326400	C. MYLAR. ML	0.22uF 50V		積層マイラーコン	01
C213	UR837470	C. EL	47uF 16V		ケミコン	01
C214	UA655470	C. MYLAR	0.47uF 50V		マイラーコン	01
C217	VA777700	C. CE	220pF 50V	RTKBG	セラコン	01
C218	UA654470	C. MYLAR	0.047uF 50V		マイラーコン	01
C219	FG644100	C. CE	0.01uF 50V		セラコン	01
C220	UR867100	C. EL	10uF 50V		ケミコン	01
C221	FG652100	C. CE	100pF 50V		セラコン	01
C222	FG613100	C. CE	1000pF 50V		セラコン	01
C223	FG644100	C. CE	0.01uF 50V		セラコン	01
C224	UA655100	C. MYLAR	0.1uF 50V		マイラーコン	01
C225	UR866100	C. EL	1uF 50V		ケミコン	01
C226	UA654100	C. MYLAR	0.01uF 50V		マイラーコン	01
C227	UR838330	C. EL	330uF 16V		ケミコン	01
C228	UR838220	C. EL	220uF 16V		ケミコン	01
C229	FG644100	C. CE	0.01uF 50V		セラコン	01
C230	FG644220	C. CE	0.022uF 50V		セラコン	01
C231	UR867100	C. EL	10uF 50V		ケミコン	01
C232	VE326400	C. MYLAR. ML	0.22uF 50V		積層マイラーコン	01
C233	VE326400	C. MYLAR. ML	0.22uF 50V		積層マイラーコン	01
C234	UR867100	C. EL	10uF 50V		ケミコン	01
C235	VE326200	C. MYLAR. ML	0.15uF 50V		積層マイラーコン	01
C236	VE327000	C. MYLAR. ML	0.68uF 50V		積層マイラーコン	01
C238	UR778470	C. EL	470uF 63V	RTK	ケミコン	01
C239	UR867100	C. EL	10uF 50V	RTK	ケミコン	01
C240	UR749100	C. EL	1000uF 25V	JUCABG	ケミコン	01
C241	UR867100	C. EL	10uF 50V		ケミコン	01

* New Parts * 新規部品(マーク#の部品は、基板に含まれません)

P.C.B. MAIN

Schm Ref.	PART NO.	Description	Remarks	Markets	部 品 名	Rank
C242	FG644100	C. CE	0.01uF 50V		セラコン	01
C243	FG644100	C. CE	0.01uF 50V		セラコン	01
⚠ D1	VQ111400	DIODE. BRG	D5SBA20-4001 6A		ダイオードブリッジ	03
⚠ D2	VR253700	DIODE. BRG	S1NB20 1A 200V		D Iブリッジ X 4	02
D3	VD631600	DIODE	1SS133, 176		ダイオード	01
D4	VD631600	DIODE	1SS133, 176		ダイオード	01
D5	VD631600	DIODE	1SS133, 176		ダイオード	01
D6	VD631600	DIODE	1SS133, 176		ダイオード	01
D7	VG442500	DIODE. ZENR	MTZJ24B 24V		ツェナーダイオード	01
D9	VD631600	DIODE	1SS133, 176		ダイオード	01
⚠ D11	VR253700	DIODE. BRG	S1NB20 1A 200V		D Iブリッジ X 4	02
D12	VD631600	DIODE	1SS133, 176		ダイオード	01
D13	VD631600	DIODE	1SS133, 176		ダイオード	01
D14	VD631600	DIODE	1SS133, 176		ダイオード	01
D15	VU264100	DIODE	1SR139-400		ダイオード	01
D19	VD631600	DIODE	1SS133, 176		ダイオード	01
D20	VG436400	DIODE. ZENR	MTZJ3.6B 3.6V		ツェナーダイオード	01
D21	VU264100	DIODE	1SR139-400		ダイオード	01
D22	VG436400	DIODE. ZENR	MTZJ3.6B 3.6V		ツェナーダイオード	01
D23	V6934100	DIODE	EL02ZLF-H5K		ダイオード	01
D24	V6934100	DIODE	EL02ZLF-H5K		ダイオード	01
D25	V6934100	DIODE	EL02ZLF-H5K		ダイオード	01
D26	V6934100	DIODE	EL02ZLF-H5K		ダイオード	01
D27	VD631600	DIODE	1SS133, 176		ダイオード	01
D28	VP779200	DIODE	S2L20U		ダイオード	01
D29	VP779200	DIODE	S2L20U		ダイオード	01
D30	VP779200	DIODE	S2L20U		ダイオード	01
D31	VP779200	DIODE	S2L20U		ダイオード	01
D32	VD631600	DIODE	1SS133, 176		ダイオード	01
D33	VD631600	DIODE	1SS133, 176		ダイオード	01
D34	VD631600	DIODE	1SS133, 176		ダイオード	01
D36	VU264100	DIODE	1SR139-400		ダイオード	01
D201	VS079300	LED	SPR-39MWV		2色 LED	01
D202	VD631600	DIODE	1SS133, 176		ダイオード	01
D203	VG440300	DIODE. ZENR	MTZJ12C 12V	RTK	ツェナーダイオード	01
D204	VD631600	DIODE	1SS133, 176		ダイオード	01
D205	VG440300	DIODE. ZENR	MTZJ12C 12V		ツェナーダイオード	01
⚠ F1	VS823100	FUSE	6A 125V	JUCRTK	ヒューズ	02
⚠ F1	KB001660	FUSE	T1.6A 250V	ABG	ヒューズ	01
⚠ F2	KB001660	FUSE	T1.6A 250V	RTK	ヒューズ	01
G1	V7235100	CN. GND	JG-11-T		接地端子	
G2	V7235100	CN. GND	JG-11-T		接地端子	
G3	V7235100	CN. GND	JG-11-T		接地端子	
G4	V7235100	CN. GND	JG-11-T		接地端子	
G5	V7235100	CN. GND	JG-11-T		接地端子	
IC1	XD343A00	IC	NJM79M12FA		I C	03
IC3	X3369A00	IC	TA7317P		I C	04
IC4	XB247A00	IC	uPC4570HA		I C	02
IC6	XJ602A00	IC	NJM78M12FA		I C	02
IC7	XB247A00	IC	uPC4570HA		I C	02
IC8	XB247A00	IC	uPC4570HA		I C	02
IC10	XB247A00	IC	uPC4570HA		I C	02
IC11	XM922A00	IC	NJM4558L	SINGLE IN LINE	I C	01

* New Parts * 新規部品(マーク#の部品は、基板に含まれません)

P.C.B. MAIN

Schm Ref.	PART NO.	Description	Remarks	Markets	部 品 名	Rank
IC201	X2020A00	IC	LB8555D		アンプ I C S I L	04
IC202	X4472A00	IC	NJM78L08A-T3		電源 I C	
L1	V8426000	COIL	120uH BCS10-03060		コイル 1 2 0 u	
L2	V8426000	COIL	120uH BCS10-03060		コイル 1 2 0 u	
L3	VU038200	COIL	0.95uH		コイル	02
PJ1	V6415800	JACK. PIN	2P		ピンジャック 2 P G	03
PN1	WB543600	PIN	WB54360 L=50 #18		スタイルピン	
PN2	WB543600	PIN	WB54360 L=50 #18		スタイルピン	
Q1A	iX632610	TR	2SA1837 O, Y		トランジスタ	02
Q1C	iX632620	TR	2SC4793 O, Y		トランジスタ	02
Q2	iC181510	TR	2SC1815 Y		トランジスタ	01
Q3	iA097030	TR	2SA970 GR, BL		トランジスタ	01
Q4	iA097030	TR	2SA970 GR, BL		トランジスタ	01
Q5	iC181510	TR	2SC1815 Y		トランジスタ	01
Q6	iA101510	TR	2SA1015 Y		トランジスタ	01
Q7	iA097030	TR	2SA970 GR, BL		トランジスタ	01
Q8	VE198700	TR	2SA1145 O, Y		トランジスタ	01
Q9	VC398100	TR	2SC1846 S		トランジスタ	01
Q10	VE198800	TR	2SC2705 O, Y		トランジスタ	01
Q16A	iX606460	TR	2SA1492 O, P, Y		トランジスタ	05
Q16C	iX606470	TR	2SC3856 O, P, Y		トランジスタ	05
Q17A	iX606460	TR	2SA1492 O, P, Y		トランジスタ	05
Q17C	iX606470	TR	2SC3856 O, P, Y		トランジスタ	05
Q18	iC181510	TR	2SC1815 Y		トランジスタ	01
Q19	iA101510	TR	2SA1015 Y		トランジスタ	01
Q20	iC224030	TR	2SC2240 GR, BL		トランジスタ	01
Q21	iA097030	TR	2SA970 GR, BL		トランジスタ	01
Q22	iA097030	TR	2SA970 GR, BL		トランジスタ	01
Q23	iC224030	TR	2SC2240 GR, BL		トランジスタ	01
Q24A	iX632610	TR	2SA1837 O, Y		トランジスタ	02
Q24C	iX632620	TR	2SC4793 O, Y		トランジスタ	02
Q25	V3028000	FET	2SK304 E		F E T	01
Q26A	iX632610	TR	2SA1837 O, Y		トランジスタ	02
Q26C	iX632620	TR	2SC4793 O, Y		トランジスタ	02
Q27	VE198800	TR	2SC2705 O, Y		トランジスタ	01
Q28	VE198800	TR	2SC2705 O, Y		トランジスタ	01
Q29	VE198700	TR	2SA1145 O, Y		トランジスタ	01
Q30	VE198700	TR	2SA1145 O, Y		トランジスタ	01
Q31	iA097030	TR	2SA970 GR, BL		トランジスタ	01
Q32	iC224030	TR	2SC2240 GR, BL		トランジスタ	01
Q37	iA097030	TR	2SA970 GR, BL		トランジスタ	01
Q38	iC224030	TR	2SC2240 GR, BL		トランジスタ	01
Q201	iA097030	TR	2SA970 GR, BL		トランジスタ	01
Q202	iA097030	TR	2SA970 GR, BL		トランジスタ	01
Q203	iC287820	TR	2SC2878 A, B		トランジスタ	01
Q204	iC287820	TR	2SC2878 A, B		トランジスタ	01
Q205	iC224030	TR	2SC2240 GR, BL		トランジスタ	01
Q206	iC224030	TR	2SC2240 GR, BL		トランジスタ	01
Q207	iC224030	TR	2SC2240 GR, BL		トランジスタ	01
Q208	VK801200	TR	2SC4688 R, O	RTK	トランジスタ	04
Q209	iC224030	TR	2SC2240 GR, BL	RTK	トランジスタ	01
R2	HV755470	R. CAR. FP	470 Ω 1/4W		不燃化カーボン抵抗	01
R3	HV755470	R. CAR. FP	470 Ω 1/4W		不燃化カーボン抵抗	01

* New Parts * 新規部品(マーク#の部品は、基板に含まれません)

P.C.B. MAIN

Schm Ref.	PART NO.	Description	Remarks	Markets	部 品 名	Rank
R4	V7093700	R. MTL. OXD	1.8KΩ 3W		酸化金属被膜抵抗	
R10	HB027100	R. MTL. FLM	10KΩ 1/4W		金属被膜抵抗	
R11	HB027100	R. MTL. FLM	10KΩ 1/4W		金属被膜抵抗	
R12	HB027100	R. MTL. FLM	10KΩ 1/4W		金属被膜抵抗	
R16	HV753470	R. CAR. FP	4.7Ω 1/4W		不燃化カーボン抵抗	01
R17	VG730500	R. MTL. OXD	0.15Ω 3W		酸化金属被膜抵抗	01
R18	VG730500	R. MTL. OXD	0.15Ω 3W		酸化金属被膜抵抗	01
R19	HV755470	R. CAR. FP	470Ω 1/4W		不燃化カーボン抵抗	01
R20	HV753470	R. CAR. FP	4.7Ω 1/4W		不燃化カーボン抵抗	01
R22	HV756220	R. CAR. FP	2.2KΩ 1/4W		不燃化カーボン抵抗	01
R23	HV755330	R. CAR. FP	330Ω 1/4W		不燃化カーボン抵抗	01
R27	HV753100	R. CAR. FP	1Ω 1/4W		不燃化カーボン抵抗	01
R28	HV753100	R. CAR. FP	1Ω 1/4W		不燃化カーボン抵抗	01
R31	HB026390	R. MTL. FLM	3.9KΩ 1/4W		金属被膜抵抗	01
R32	HV754220	R. CAR. FP	22Ω 1/4W		不燃化カーボン抵抗	01
R33	HV755220	R. CAR. FP	220Ω 1/4W		不燃化カーボン抵抗	01
R39	HB028100	R. MTL. FLM	100KΩ 1/4W		金属被膜抵抗	
R40	HV755220	R. CAR. FP	220Ω 1/4W		不燃化カーボン抵抗	01
R41	HV754330	R. CAR. FP	33Ω 1/4W		不燃化カーボン抵抗	01
R44	HV756390	R. CAR. FP	3.9KΩ 1/4W		不燃化カーボン抵抗	01
R45	HV756120	R. CAR. FP	1.2KΩ 1/4W		不燃化カーボン抵抗	01
R46	V6022600	R. WW	0.1Ω 3W		セメント抵抗	
R47	HV753100	R. CAR. FP	1Ω 1/4W		不燃化カーボン抵抗	01
R48	HV753100	R. CAR. FP	1Ω 1/4W		不燃化カーボン抵抗	01
R66	VC753800	R. MTL. OXD	1Ω 2W		酸化金属被膜抵抗	01
R67	VC753800	R. MTL. OXD	1Ω 2W		酸化金属被膜抵抗	01
R68	HV755120	R. CAR. FP	120Ω 1/4W		不燃化カーボン抵抗	01
R69	HV756330	R. CAR. FP	3.3KΩ 1/4W		不燃化カーボン抵抗	01
R79	HV755680	R. CAR. FP	680Ω 1/4W		不燃化カーボン抵抗	01
R80	HV755150	R. CAR. FP	150Ω 1/4W		不燃化カーボン抵抗	01
R105	HV754100	R. CAR. FP	10Ω 1/4W		不燃化カーボン抵抗	01
R107	HV756220	R. CAR. FP	2.2KΩ 1/4W		不燃化カーボン抵抗	01
R113	HB027200	R. MTL. FLM	20KΩ 1/4W		金属被膜抵抗	
R115	HV754220	R. CAR. FP	22Ω 1/4W		不燃化カーボン抵抗	01
R117	HV754220	R. CAR. FP	22Ω 1/4W		不燃化カーボン抵抗	01
R121	HV754220	R. CAR. FP	22Ω 1/4W		不燃化カーボン抵抗	01
R122	HV754220	R. CAR. FP	22Ω 1/4W		不燃化カーボン抵抗	01
R125	HV753220	R. CAR. FP	2.2Ω 1/4W		不燃化カーボン抵抗	01
R128	HV753470	R. CAR. FP	4.7Ω 1/4W		不燃化カーボン抵抗	01
R129	HV753470	R. CAR. FP	4.7Ω 1/4W		不燃化カーボン抵抗	01
R130	HV753470	R. CAR. FP	4.7Ω 1/4W		不燃化カーボン抵抗	01
R132	HV753220	R. CAR. FP	2.2Ω 1/4W		不燃化カーボン抵抗	01
R135	HV755560	R. CAR. FP	560Ω 1/4W		不燃化カーボン抵抗	01
R152	HV755470	R. CAR. FP	470Ω 1/4W		不燃化カーボン抵抗	01
R162	HV753220	R. CAR. FP	2.2Ω 1/4W		不燃化カーボン抵抗	01
R203	HV756220	R. CAR. FP	2.2KΩ 1/4W		不燃化カーボン抵抗	01
R204	HV756220	R. CAR. FP	2.2KΩ 1/4W		不燃化カーボン抵抗	01
R205	HV756220	R. CAR. FP	2.2KΩ 1/4W		不燃化カーボン抵抗	01
R206	HV756220	R. CAR. FP	2.2KΩ 1/4W		不燃化カーボン抵抗	01
R210	HV756470	R. CAR. FP	4.7KΩ 1/4W		不燃化カーボン抵抗	01
R211	HV756470	R. CAR. FP	4.7KΩ 1/4W		不燃化カーボン抵抗	01
R267	HV753220	R. CAR. FP	2.2Ω 1/4W	JUCABG	不燃化カーボン抵抗	01
RY1	VU161600	RELAY	DC OSA-SS-224DM3		リレー 24V	05



* New Parts * 新規部品(マーク#の部品は、基板に含まれません)

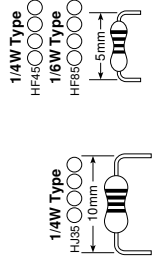
Parts List for Carbon Resistors

P.C.B. MAIN

Schm Ref.	PART NO.	Description	Remarks	Markets	部 品 名	Rank
△ RY2	V2712300	RELAY			リレー 12V	05
ST1	V40040500	SCR, TERM			スクリュー/ターミナル	01
SW1	VL012000	SW, SLIDE	DC SDT-S-112LMR		スライドSW	02
SW2	VD179500	SW, SLIDE	SSSF12		スライドSW	04
SW3	VS066500	SW, PUSH	SSSU12		プッシュスイッチ	03
SW4	VS066500	SW, PUSH	SPPH13-W		プッシュスイッチ	03
SW6	V7182200	VOLT. SELECT	R8140213		電圧切替器	
T1	X4335A00	TRANS		RTK	サブトランス	
△ T1	X4336A00	TRANS		J	サブトランス	
△ T1	X4337A00	TRANS		UC	サブトランス	
△ T1	X4338A00	TRANS		RTK	サブトランス	
TE1	VT658100	TERM. WRAP		ABG	ラッピング端子	01
TE2	VT658100	TERM. WRAP	352-TX119		ラッピング端子	01
TE3	VC313700	TERM. SP	352-TX119	JUCRTKA	スピンカー端子	06
TE3	V4811400	TERM. SP		BG	スピンカー端子	06
TP11	VT969000	PIN, TEST	IRS-2049		テストポイントピン	01
TP12	VT969000	PIN, TEST	IRS-2049		テストポイントピン	01
VR1	WB418800	VR	A 5K Ω		二連ロータリーVR	
VR2	WB418900	VR	S 10K Ω		二連ロータリーVR	
	V5995600	PLATE, GND			アースプレート	
	WB419000	HOLDER, LED	LDT-706 YST-SW215		LEDホルダー	

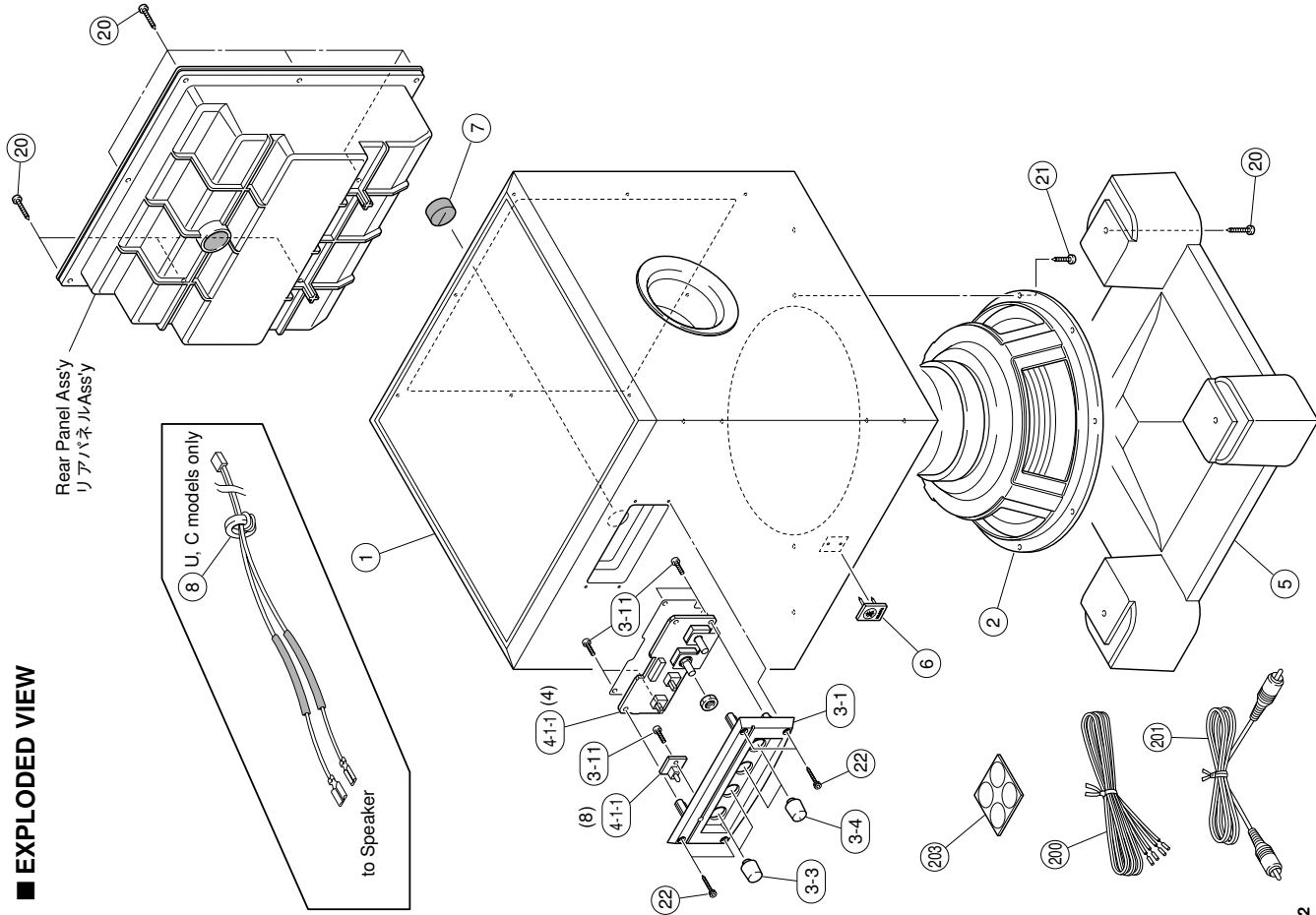
* : New Parts * 新部品(マーク#の部品は、基板に含まれません)

Value	1/4W Type Part No.	1/6W Type Part No.	Value	1/4W Type Part No.	1/6W Type Part No.
1.0 Ω	HJ35 3100	HF85 3100	10 kΩ	HF45 7100	HF45 7100
1.8 Ω	HJ35 3180	*	11 kΩ	HF45 7110	HF45 7110
2.2 Ω	HJ35 3220	HF85 3220	12 kΩ	HJ35 7120	HF85 7120
3.3 Ω	HJ35 3330	HF85 3330	13 kΩ	HF45 7130	HF45 7130
4.7 Ω	HJ35 3470	HF85 3470	15 kΩ	HF45 7150	HF45 7150
5.6 Ω	HJ35 3560	HF85 3560	18 kΩ	HF45 7180	HF45 7180
10 Ω	HF45 4100	HF45 4100	22 kΩ	HF45 7220	HF45 7220
15 Ω	HJ35 4150	HF85 4150	24 kΩ	HF45 7240	HF45 7240
22 Ω	HF45 4220	HJ35 7270	27 kΩ	HJ35 7270	HF85 7270
27 Ω	HJ35 4270	HF85 4270	30 kΩ	HF45 7300	HF45 7300
33 Ω	HF45 4330	HF45 4330	33 kΩ	HF45 7330	HF45 7330
39 Ω	HJ35 4470	HF85 4390	36 kΩ	HF45 7360	HF45 7360
47 Ω	HF45 4470	HF45 4470	39 kΩ	HF45 7390	HF45 7390
56 Ω	HF45 4560	HF45 4560	47 kΩ	HF45 7470	HF45 7470
68 Ω	HF45 4680	HF45 4680	51 kΩ	HF45 7510	HF45 7510
75 Ω	HF45 4750	HF45 4750	56 kΩ	HF45 7560	HF45 7560
82 Ω	HF45 4820	HF45 4820	62 kΩ	HF45 7620	HF45 7620
91 Ω	HF45 4910	HF45 4910	68 kΩ	HF45 7680	HF45 7680
100 Ω	HF45 5100	HF45 5100	82 kΩ	HF45 7820	HF45 7820
110 Ω	HJ35 5110	HF85 5110	91 kΩ	HF45 7910	HF45 7910
120 Ω	HF45 5120	HF45 5120	100 kΩ	HF45 8100	HF45 8100
150 Ω	HF45 5150	HF45 5150	110 kΩ	HF45 8110	HF45 8110
160 Ω	HJ35 5160	*	120 kΩ	HF45 8120	HF45 8120
180 Ω	HF45 5180	HF45 5180	150 kΩ	HF45 8150	HF45 8150
200 Ω	HF45 5200	HF45 5200	180 kΩ	HF45 8180	HF45 8180
220 Ω	HF45 5220	HF45 5220	220 kΩ	HJ35 8220	HF85 8220
270 Ω	HF45 5270	HF45 5270	270 kΩ	HF45 8270	HF45 8270
330 Ω	HF45 5330	HF45 5330	300 kΩ	HF45 8300	HF45 8300
390 Ω	HF45 5390	HF45 5390	330 kΩ	HF45 8330	HF45 8330
430 Ω	HF45 5430	HF45 5430	390 kΩ	HJ35 8390	HF85 8390
470 Ω	HF45 5470	HF45 5470	470 kΩ	HF45 8470	HF45 8470
510 Ω	HF45 5510	HF45 5510	560 kΩ	HJ35 8560	HF85 8560
560 Ω	HF45 5560	HF45 5560	680 kΩ	HJ35 8680	HF85 8680
680 Ω	HF45 5680	HF45 5680	820 kΩ	HJ35 8820	HF85 8820
820 Ω	HF45 5820	HF45 5820	1.0 MΩ	HF45 9100	HF45 9100
910 Ω	HF45 5910	HF45 5910	1.2 MΩ	HJ35 9120	*
1.0 kΩ	HF45 6100	HF45 6100	1.5 MΩ	HJ35 9150	HF85 9150
1.2 kΩ	HF45 6120	HF45 6120	1.8 MΩ	HJ35 9180	HF85 9180
1.5 kΩ	HF45 6150	HF45 6150	2.2 MΩ	HJ35 9220	HF85 9220
1.8 kΩ	HF45 6180	HF45 6180	3.3 MΩ	HJ35 9330	HF85 9330
2.0 kΩ	HJ35 6200	HF85 6200	3.9 MΩ	HJ35 9390	*
2.2 kΩ	HF45 6220	HF45 6220	4.7 MΩ	HJ35 9470	HF85 9470
2.4 kΩ	HJ35 6240	HF85 6240			
2.7 kΩ	HF45 6270	HF45 6270			
3.0 kΩ	HF45 6300	HF45 6300			
3.3 kΩ	HF45 6330	HF45 6330			
3.6 kΩ	HJ35 6360	HF85 6360			
3.9 kΩ	HF45 6390	HF45 6390			
4.7 kΩ	HF45 6470	HF45 6470			
5.1 kΩ	HF45 6510	HF45 6510			
5.6 kΩ	HF45 6560	HF45 6560			
6.8 kΩ	HF45 6680	HF45 6680			
8.2 kΩ	HF45 6820	HF45 6820			
9.1 kΩ	HF45 6910	HF45 6910			



* : Not available

EXPLODED VIEW

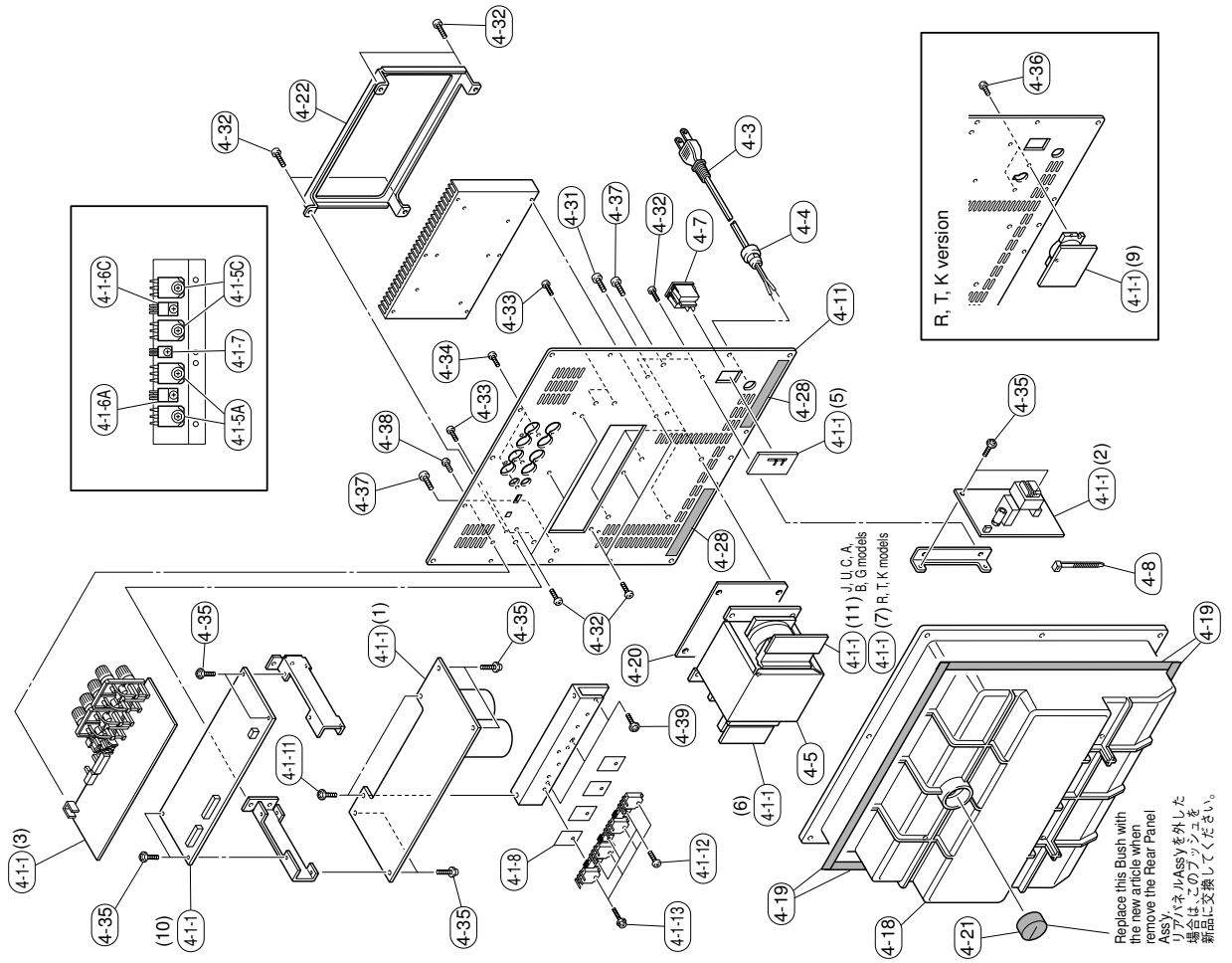


MECHANICAL PARTS

Schm Ref.	PART NO.	Description	Remarks	Markets	部 品 名	Rank
1	MB373800	CABINET ASS'Y	CH		キャビネットASSY	
*	MB373900	CABINET ASS'Y	BL		キャビネットASSY	
*	X4457A00	DRIVER, WOOFER	JA2564		スピーカーユニット	
*	MB284000	FRONT PANEL	25cm		フロントパネル	
*	MB276500	SWITCH KNOB			スイッチノブ	
*	MB276700	VOLUME KNOB			ボリュームノブ	
*	EP600280	BIND HEAD P-TITE SCREW	3x8	MFZN2Y	バインドPタイトネジ	01
*	4-1-1	MB373300	PCB ASS'Y	MAIN	PCB MAIN	J
*	4-1-1	MB373400	PCB ASS'Y	MAIN	PCB MAIN	UC
*	4-1-1	MB373500	PCB ASS'Y	MAIN	PCB MAIN	RTK
*	4-1-1	MB373600	PCB ASS'Y	MAIN	PCB MAIN	A
*	4-1-1	MB373700	PCB ASS'Y	MAIN	PCB MAIN	BG
*	5	MB258800	BASE	A	ベース	
*	6	V2729700	ENBLEM		エンブレムA	09
*	7	V7324600	BUSH		ブッシュ	
*	8	V6833900	FERRITE CORE	ESD-2-2SSD	フェライトコア	
*	20	MA206700	BIND HEAD TAPPING SCREW	4x35	バインドヘッド種	01
*	21	VF573000	BIND HEAD TAPPING SCREW	4x25	バインドヘッド種	01
*	22	MA200300	HEXAGON SOCKET TAPPING SCREW	3x20	六角付TP#1	01
*	200	VT704200	ACCESSORIES		付属品	
*	201	V3262500	SPEAKER CABLE	4m	スピーカーケーブル	04
*	203	MB365800	SUBWOOFER CABLE	1P 3m	サブウーハーケーブル	04
			NON SKID PAD	M32 t2 4pcs/set	滑り止パッド	

* New Parts * 新規部品(マーク#の部品は、基板に含まれません)

■ EXPLODED VIEW (REAR PANEL ASS'Y)



■ MECHANICAL PARTS (REAR PANEL ASS'Y)

Schm Ref.	PART NO.	Description	Remarks	Markets	部 品 名	Rank
4-1-1	WB373300	PCB ASS'Y		J	PCB MAIN	05
4-1-1	WB373400	PCB ASS'Y		RTK	PCB MAIN	05
4-1-1	WB373500	PCB ASS'Y		A	PCB MAIN	02
4-1-1	WB373600	PCB ASS'Y		B6	PCB MAIN	01
4-1-1	WB373700	PCB ASS'Y			PCB MAIN	01
4-1-5A	iX606460	TRANS ISTOR	016A,017A		トランススタ	05
4-1-5C	iX606470	TRANS ISTOR	016C,017C		トランススタ	05
4-1-6A	iX632610	TRANS ISTOR	01A		トランススタ	02
4-1-6C	iX632620	TRANS ISTOR	01C		トランススタ	02
4-1-7	VC388100	TRANS ISTOR	09		トランススタ	01
4-1-8	VK195900	SHEET	19x24		シート/加熱	01
4-1-11	VT669300	PH HEAD B-TITE SCREW	3x8-8 MFC2		PWヘッドBタイトネジ	01
4-1-12	EP600190	BIND HEAD B-TITE SCREW	3x8 MFAZ2BL		ヘッドBタイトネジ	01
4-1-13	VK173200	SCREW, TRANS ISTOR	3x15 SP MFC2		スクリーナTR	01
4-3	V6683000	POWER CABLE	2m	J	電源コード	06
4-3	V2689600	POWER CABLE	2m	UC	電源コード	05
4-3	WA507100	POWER CABLE	2m	R	電源コード	05
4-3	VZ555600	POWER CABLE	2m	T	電源コード	05
4-3	V8012900	POWER CABLE	2m	K	電源コード	05
4-3	V6792800	POWER CABLE	2m	A	電源コード	05
4-3	V6977100	POWER CABLE	2m	B	電源コード	05
4-3	V6883100	POWER CABLE	2m	G	電源コード	05
4-4	CB072750	CORD STOPPER	SR-4H-4		コードストッパー	01
4-5	X221A00	POWER TRANSFORMER		J	電源トランス	15
4-5	XY289000	POWER TRANSFORMER		UC	電源トランス	06
4-5	XY290000	POWER TRANSFORMER		RTK	電源トランス	06
4-5	XY291000	POWER TRANSFORMER		A	電源トランス	06
4-5	XY292000	POWER TRANSFORMER		B6	電源トランス	06
4-7	V5520700	ROCKER SWITCH	JW-M1TRK UCS TV-5		ロッカースW	06
4-8	CB069250	BINDING TIE	BK-1		束線止め	01
4-11	WB276900	REAR PANEL		J	リアパネル	06
4-11	WB277000	REAR PANEL		UC	リアパネル	06
4-11	WB277100	REAR PANEL		RTK	リアパネル	06
4-11	WB277200	REAR PANEL		A	リアパネル	06
4-11	WB277300	REAR PANEL		B6	リアパネル	06
4-18	WB249900	COVER			カバー	06
4-19	WB377300	PACKING			パッキン	06
4-20	WB377400	PACKING E			パッキンE	06
4-21	V7324600	BUSH			ブッシュ	06
4-22	WB279400	REAR COVER			リアカバー	06
4-28	WB268100	PACKING			パッキン	06
4-31	V6655200	BIND HEAD S-TITE SCREW	4x8 MFAZ2BL		ヘッドSタイトネジ	01
4-32	EP600190	BIND HEAD B-TITE SCREW	3x8 MFAZ2BL		ヘッドBタイトネジ	01
4-33	EG340190	BIND HEAD B-TITE SCREW	4x8 MFAZ2BL		ヘッドBタイトネジ	01
4-34	EP600660	BIND HEAD P-TITE SCREW	3x10 MFAZ2BL		ヘッドPタイトネジ	01
4-35	VT669300	PH HEAD B-TITE SCREW	3x8-8 MFC2		PWヘッドBタイトネジ	01
4-36	VA295800	BIND HEAD SCREW	3x8 MFAZ2BL		ヘッド小ネジ	01
4-37	VA847600	BIND HEAD P-TITE SCREW	4x12 MFAZ2BL		ヘッドPタイトネジ	01
4-38	VC082800	BIND HEAD BONDING SCREW	3x6 MFC2BL		ボンディング小ネジ	01
4-39	VK697600	BIND HEAD B-TITE SCREW	3x10 SP MFAZ2NY		ヘッドBタイトネジ	01

* New Parts * 新規部品(マ-ク#の部品は、基板に含まれません)

YST-SW315

